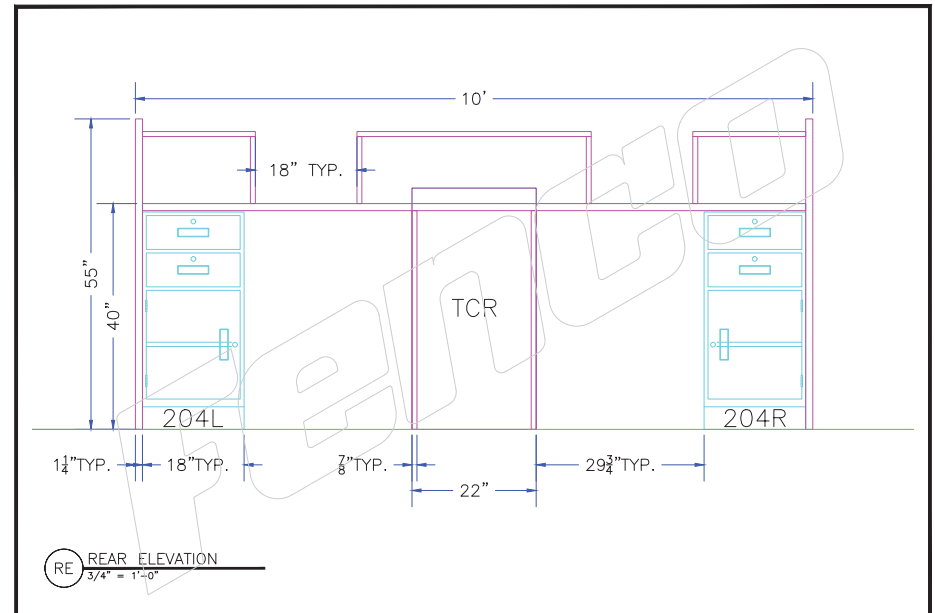
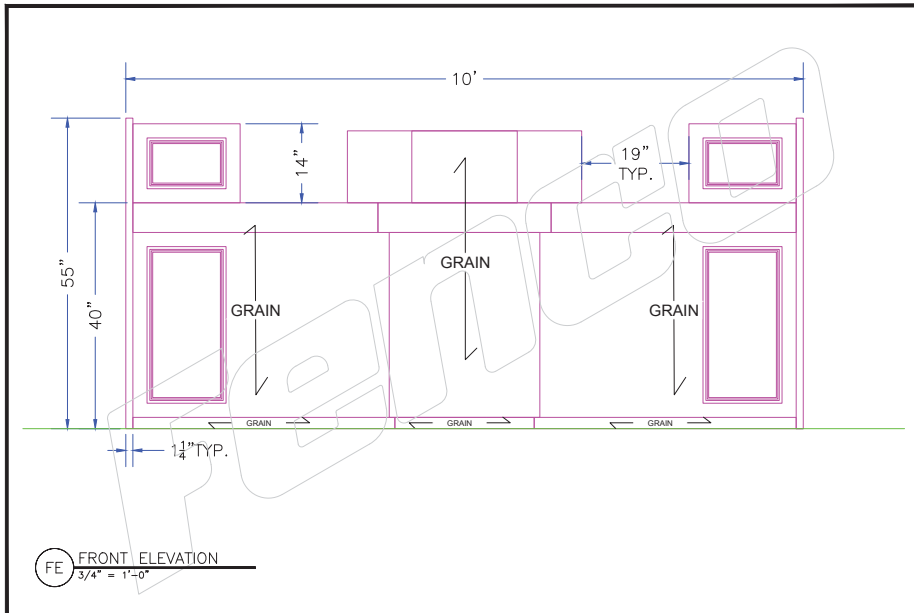


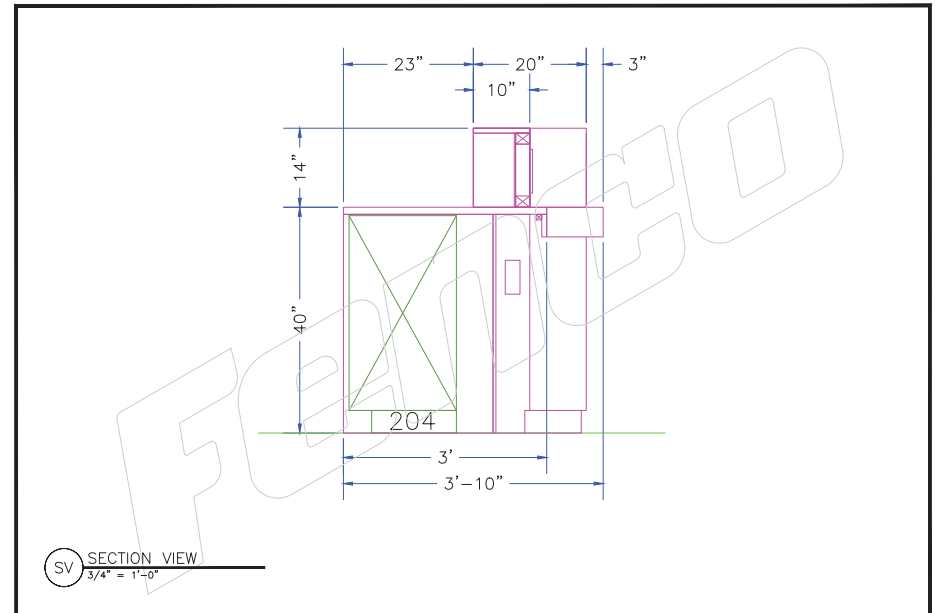
FIELD CONSULTANT	DRAWN BY	SCALE	TITLE	DATE
-	LLW	3/4" = 1'-0"	Teller Pod D	02/01/2016
			DWG.NO. Pod D JOB NO. - SHEET 1 OF 4	



FIELD CONSULTANT	DRAWN BY	SCALE	TITLE	DATE
-	LLW	3/4" = 1'-0"	Teller Pod D	02/01/2016
			DWG.NO. Pod D JOB NO. - SHEET 3 OF 4	



FIELD CONSULTANT	DRAWN BY	SCALE	TITLE	DATE
-	LLW	3/4" = 1'-0"	Teller Pod D	02/01/2016
			DWG.NO. Pod D JOB NO. - SHEET 2 OF 4	



FIELD CONSULTANT	DRAWN BY	SCALE	TITLE	DATE
-	LLW	3/4" = 1'-0"	Teller Pod D	02/01/2016
			DWG.NO. Pod D JOB NO. - SHEET 4 OF 4	