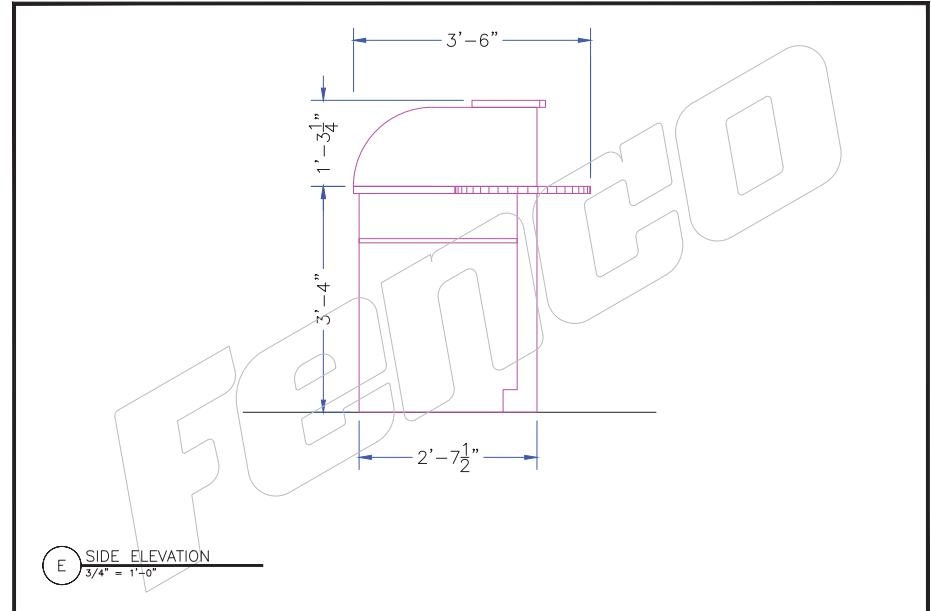


RE REAR ELEVATION - ADA
3/4" = 1'-0"

FIELD CONSULTANT -	DRAWN BY LLW	SCALE 1/2" = 1'-0"	TITLE Teller Pod B	DATE 02/01/2016
UNITED HOSPITAL SUPPLY CORPORATION LAB DESIGN PO BOX 1238, 4422 ROUTE 130 BURLINGTON, NJ 08016 T: 609-387-7580 • www.lab-design.com • www.fencobankequipment.com			DWG. NO. Pod B JOB NO. - SHEET 4 OF 5	



E SIDE ELEVATION
3/4" = 1'-0"

FIELD CONSULTANT -	DRAWN BY LLW	SCALE 1/2" = 1'-0"	TITLE Teller Pod B	DATE 02/01/2016
UNITED HOSPITAL SUPPLY CORPORATION LAB DESIGN PO BOX 1238, 4422 ROUTE 130 BURLINGTON, NJ 08016 T: 609-387-7580 • www.lab-design.com • www.fencobankequipment.com			DWG. NO. Pod B JOB NO. - SHEET 5 OF 5	