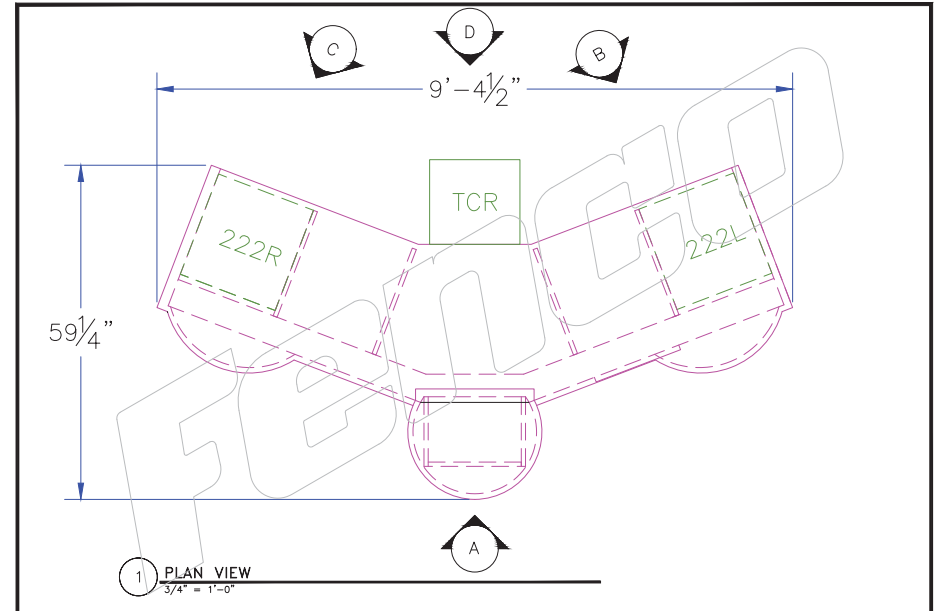


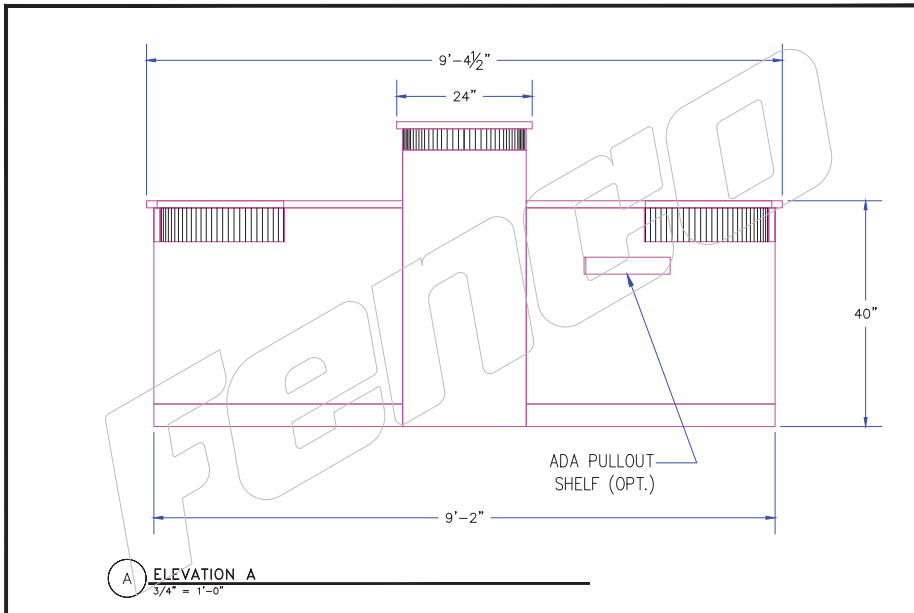




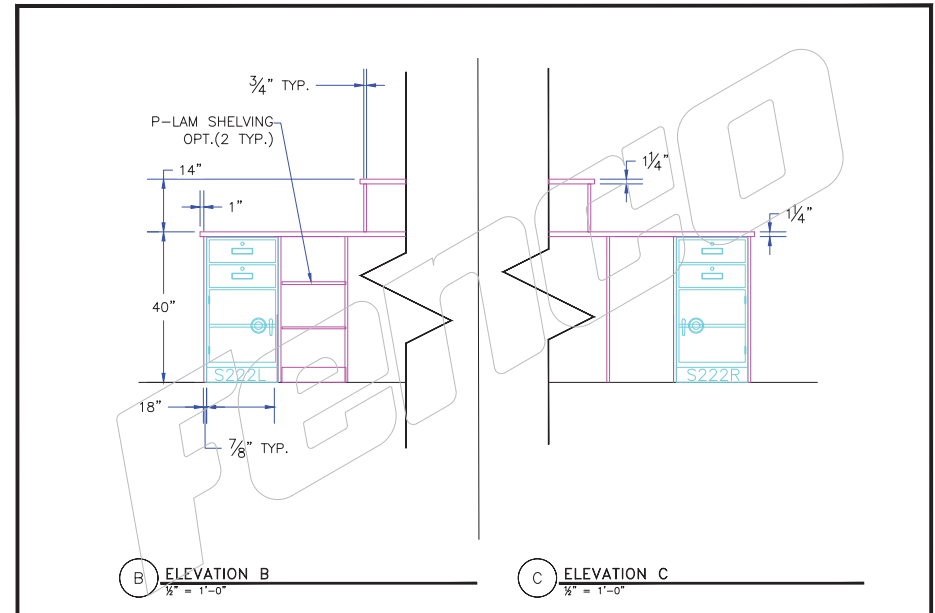
FIELD CONSULTANT -	DRAWN BY LLW	SCALE N.T.S.	TITLE Teller Pod A	DATE 02/01/2016
UNITED HOSPITAL SUPPLY CORPORATION LAB DESIGN PO BOX 1238, 4422 ROUTE 130 BURLINGTON, NJ 08016 T: 609-887-7580 • www.lab-design.com • www.fencobankequipment.com			DWG.NO. -	SHEET 5 OF 5
			JOB NO. -	



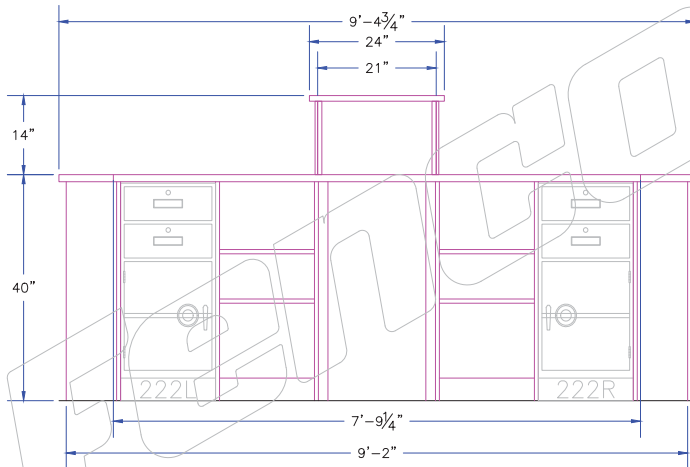
FIELD CONSULTANT -	DRAWN BY LLW	SCALE 3/4" = 1'-0"	TITLE Teller Pod A	DATE 02/01/2016
UNITED HOSPITAL SUPPLY CORPORATION LAB DESIGN PO BOX 1238, 4422 ROUTE 130 BURLINGTON, NJ 08016 T: 609-887-7580 • www.lab-design.com • www.fencobankequipment.com			DWG.NO. -	SHEET 1 OF 5
			JOB NO. -	




FIELD CONSULTANT -	DRAWN BY LLW	SCALE 3/4" = 1'-0"	TITLE Teller Pod A	DATE 02/01/2016
UNITED HOSPITAL SUPPLY CORPORATION LAB DESIGN PO BOX 1238, 4422 ROUTE 130 BURLINGTON, NJ 08016 T: 609-887-7580 • www.lab-design.com • www.fencobankequipment.com			DWG.NO. -	SHEET 2 OF 5
			JOB NO. -	



FIELD CONSULTANT -	DRAWN BY LLW	SCALE 1/2" = 1'-0"	TITLE Teller Pod A	DATE 02/01/2016
UNITED HOSPITAL SUPPLY CORPORATION LAB DESIGN PO BOX 1238, 4422 ROUTE 130 BURLINGTON, NJ 08016 T: 609-887-7580 • www.lab-design.com • www.fencobankequipment.com			DWG.NO. -	SHEET 3 OF 5
			JOB NO. -	



D ELEVATION D
 $\frac{3}{4}" = 1'-0"$

FIELD CONSULTANT -	DRAWN BY LLW	SCALE $\frac{3}{4}" = 1'-0"$	TITLE Teller Pod A	DATE 02/01/2016
 UNITED HOSPITAL SUPPLY CORPORATION LAB DESIGN <i>Fenco</i>			-	DWG. NO. -
PO BOX 1236, 4422 ROUTE 130 BURLINGTON, NJ 08016 T: 609-387-7580 * www.lab-design.com * www.fencobanksequipment.com			-	JOB NO. -
			-	SHEET 4 OF 5