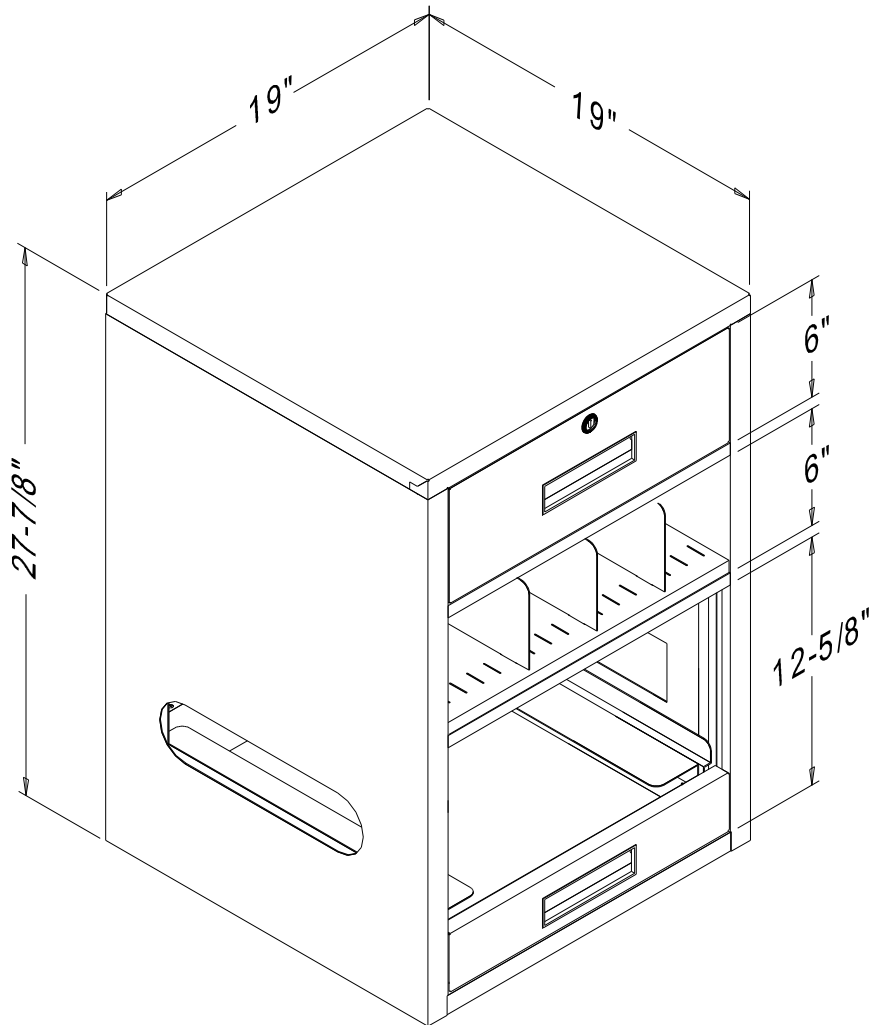


PART NO:	TITLE: S616-19	USED BY:	SCALE:	ORDER NO. -	PACKAGE SHEET: OF
SHEET: OF		DATE:	DRN BY: Bolton T. DATE: 01/26/15	CUSTOMER: FENCO	



A KEY-LOCKING BOX DRAWER
OVER A P-51 FORMS HOLDER W/
3 ADJUSTABLE DIVIDERS.
OVER A VENTILATED CPU
COMPARTMENT W/ A
PULL-OUT SHELF.

Last Update: 01/26/2015 - Bolton T.



Fenco
Undercounter & Forecounter Equipment
P.O. BOX 1238 BURLINGTON, NJ 08016-0516
www.fencobankequipment.com