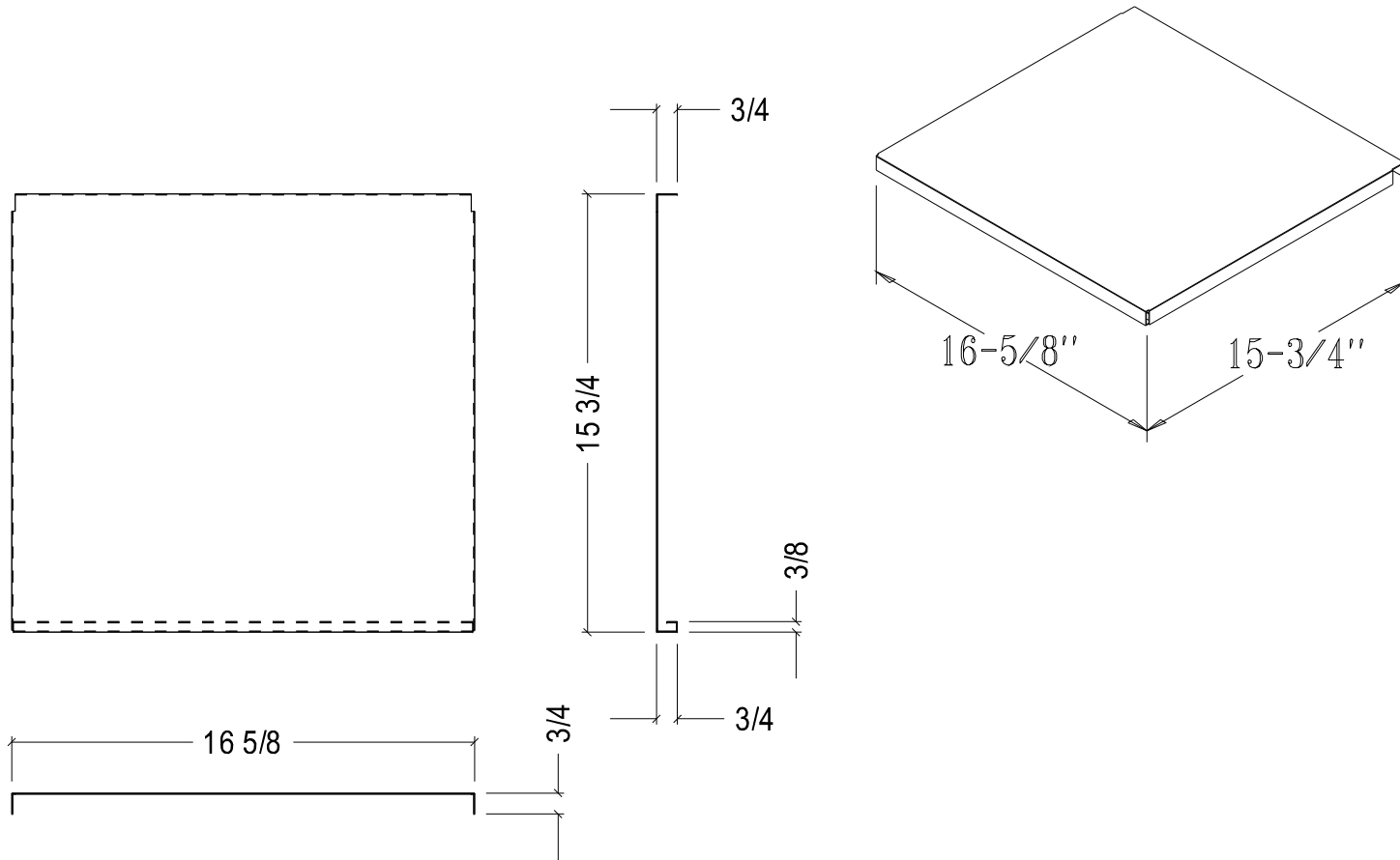


PART NO.:	TITLE: P- 3. ADJUSTABLE SHELF	USED BY: Bolton T.	SCALE: NTS	ORDER NO: -	PACKAGE SHEET: OF
SHEET: OF:		DATE:	DRN BY: Bolton T. DATE: 11/11/05	CUSTOMER: FENCO	



Adjustable Shelf for 18"W Pedestal
 WIDTHS AND DEPTH MAY VARY SLIGHTLY
 DEPENDING ON UCS MODEL SHELF IS
 NEEDED FOR.

Last Update: 11/11/2005 - Bolton T.

Fenco
 Undercounter & Forecounter Equipment
 P.O. BOX 1238 BURLINGTON, NJ 08016-0516
www.fencobankequipment.com