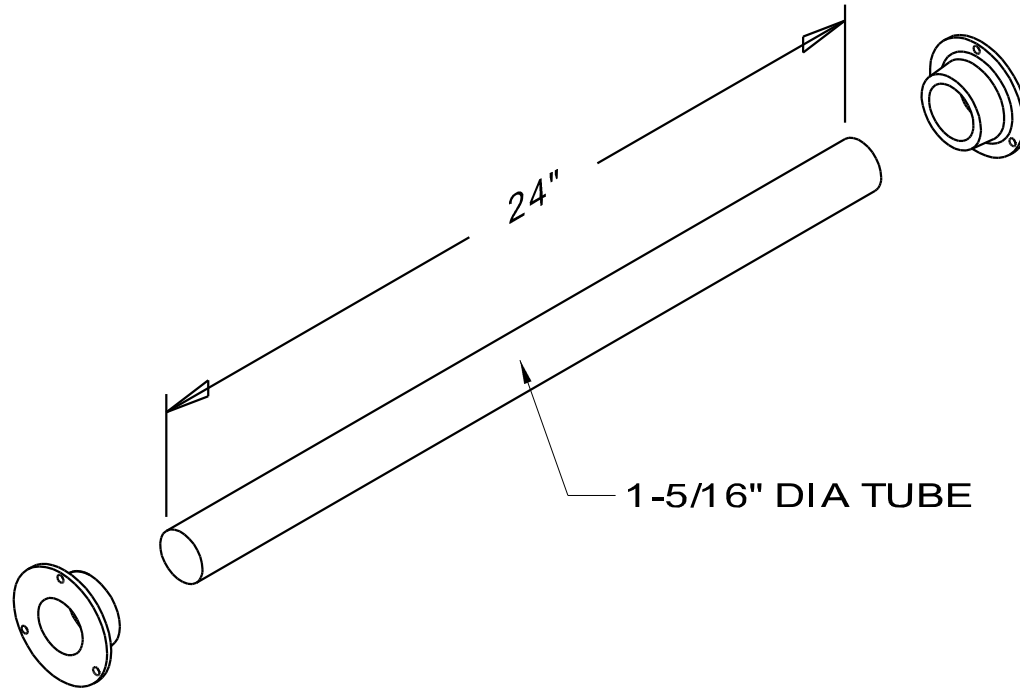


PART NO:	TITLES:	USED BY:	SCALE:	ORDER NO. -	PACKAGE SHEET: OF
SHEET: OF	P - 29	DATE:	DRN BY: Bolton T. DATE: 09/28/01	CUSTOMER: FENCO	



Last Update: 12/17/2003 - Bolton T.

	Fenco
	Undercounter & Forecounter Equipment
	P.O. BOX 1238 BURLINGTON, NJ 08016-0516 www.fencobankequipment.com