

PART NO.: BUS-116

TITLE: BUS-116, CASH DRAWER BUS

USED BY:

SCALE: NTS

ORDER NO:

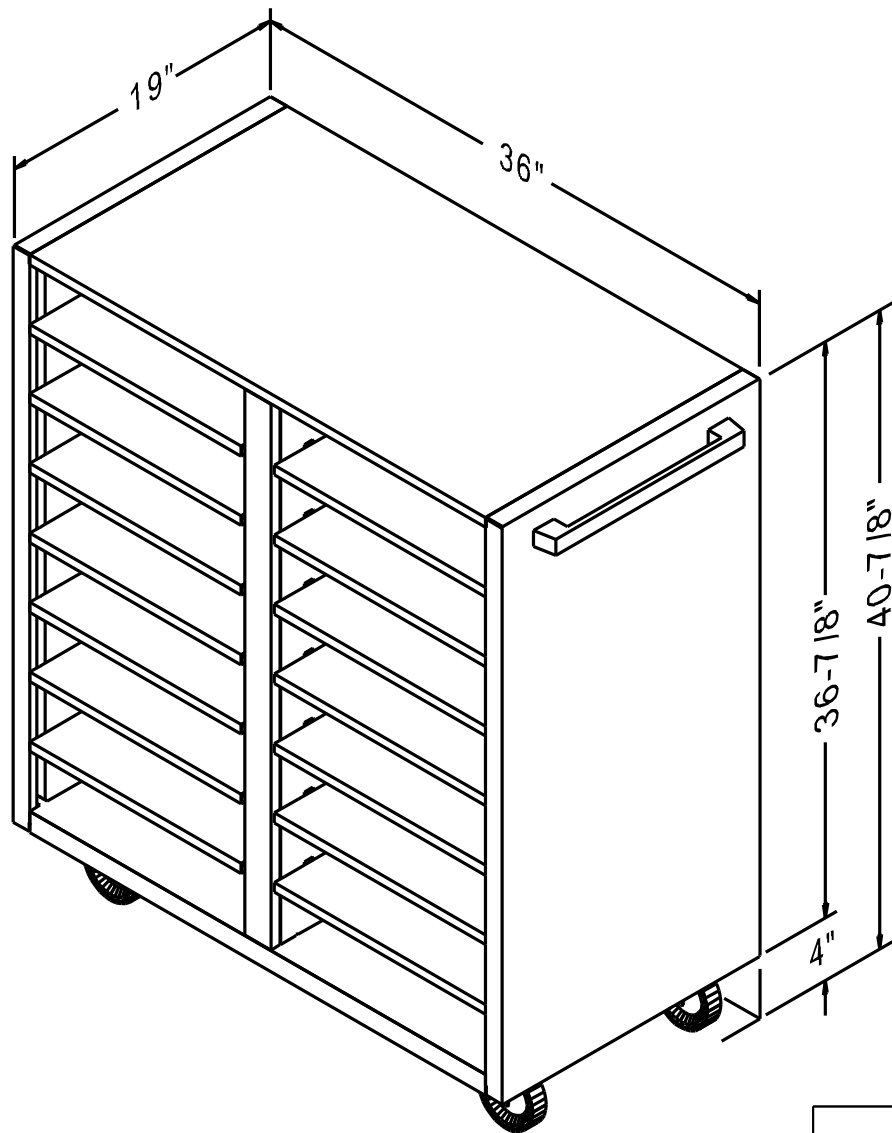
PACKAGE SHEET: OF

SHEET: OF:

DATE:

DRN BY: BOLTON T.
DATE: 03/15/06

CUSTOMER: FENCO



Last Update: 03/15/2006 - BOLTON T.

Fenco
Undercounter & Forecounter Equipment
P.O. BOX 1238 BURLINGTON, NJ 08016-0516
www.fencobankequipment.com