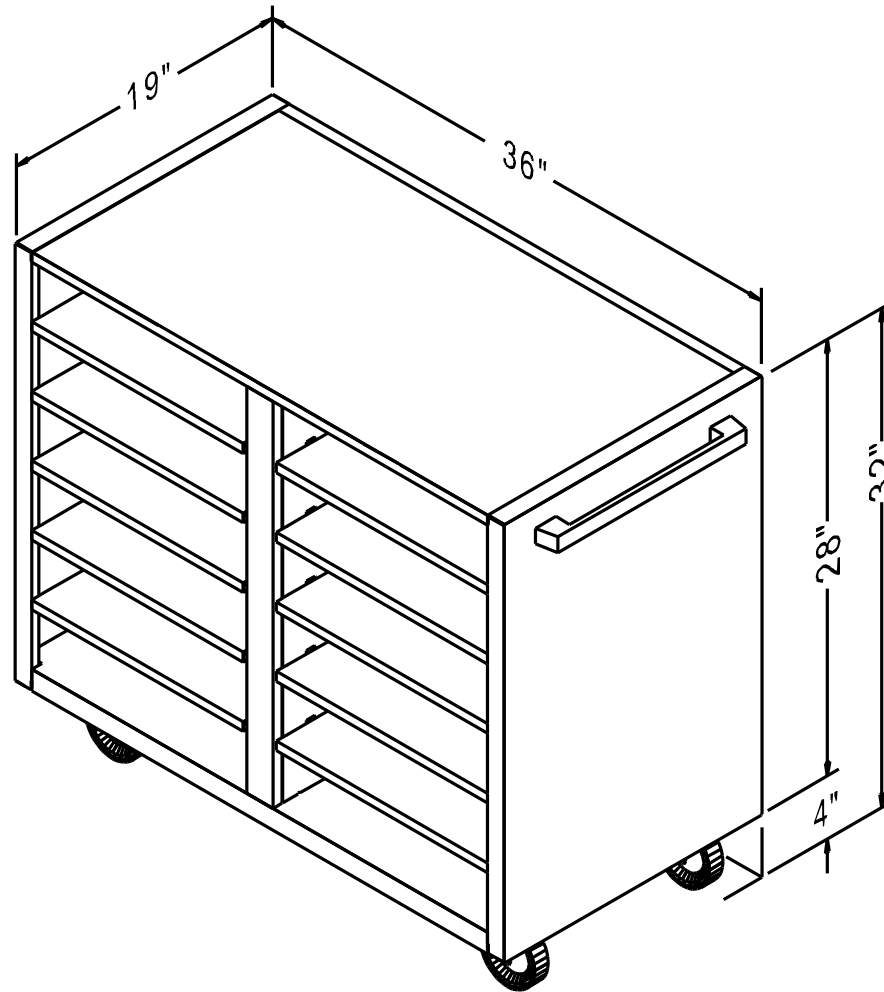


PART NO.: BUS-112	TITLE:	USED BY:	SCALE: NTS	ORDER NO:	PACKAGE SHEET:	OF
SHEET: OF:	BUS-112, CASH DRAWER BUS	DATE:	DRN BY: BOLTON T. DATE: 03/15/06	CUSTOMER: FENCO		



Last Update: 03/15/2006 - BOLTON T.

**Fenco**  
 Undercounter & Forecounter Equipment  
 P.O. BOX 1238 BURLINGTON, NJ 08016-0516  
[www.fencobankequipment.com](http://www.fencobankequipment.com)