

PART NO.: BUS-106

TITLE:

BUS-106, CASH DRAWER BUS

USED BY:

SCALE: NTS

ORDER NO:

PACKAGE SHEET: OF

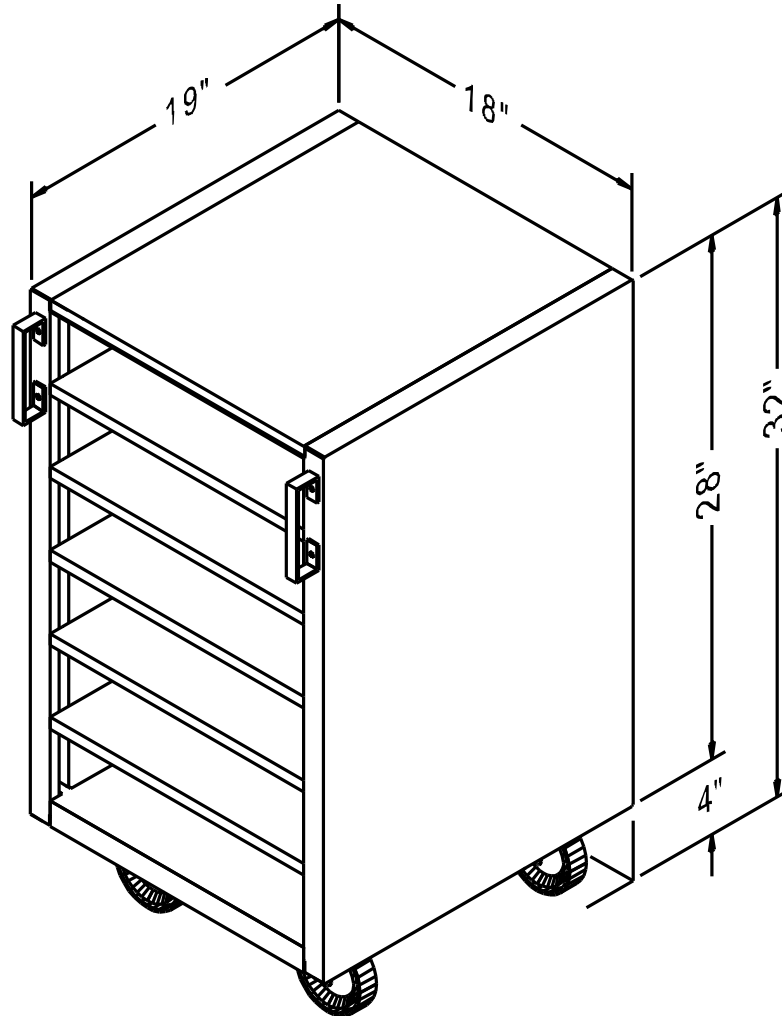
SHEET: OF:

DATE:

DRN BY: BOLTON T.

DATE: 03/15/06

CUSTOMER: FENCO



Last Update: 03/15/2006 - BOLTON T.



Fenco
Undercounter & Forecounter Equipment
P.O. BOX 1238 BURLINGTON, NJ 08016-0516
www.fencobankequipment.com

BUS (NEW).PRT