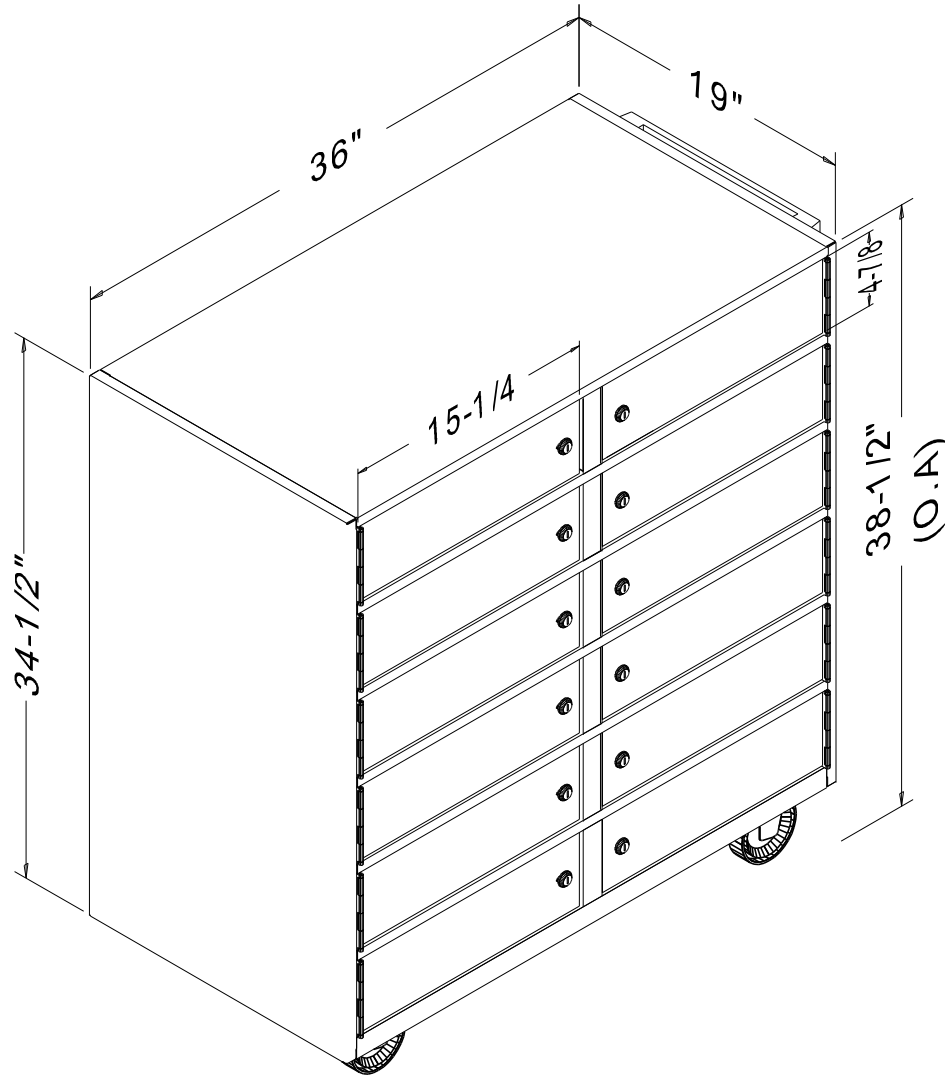


PART NO.:	TITLE: BUS- 412	USED BY:	SCALE: NTS	ORDER NO.:	PACKAGE SHEET: OF
SHEET: OF:		DATE:	DRN BY: Bolton T. DATE: 04/11/06	CUSTOMER:	



AVAILABLE COMPARTMENT DEPTH 18-1/2"

Last Update: 12/11/2007 - Bolton T.

Fenco
 Undercounter & Forecounter Equipment
 P.O. BOX 1238 BURLINGTON, NJ 08016-0516
www.fencobankequipment.com