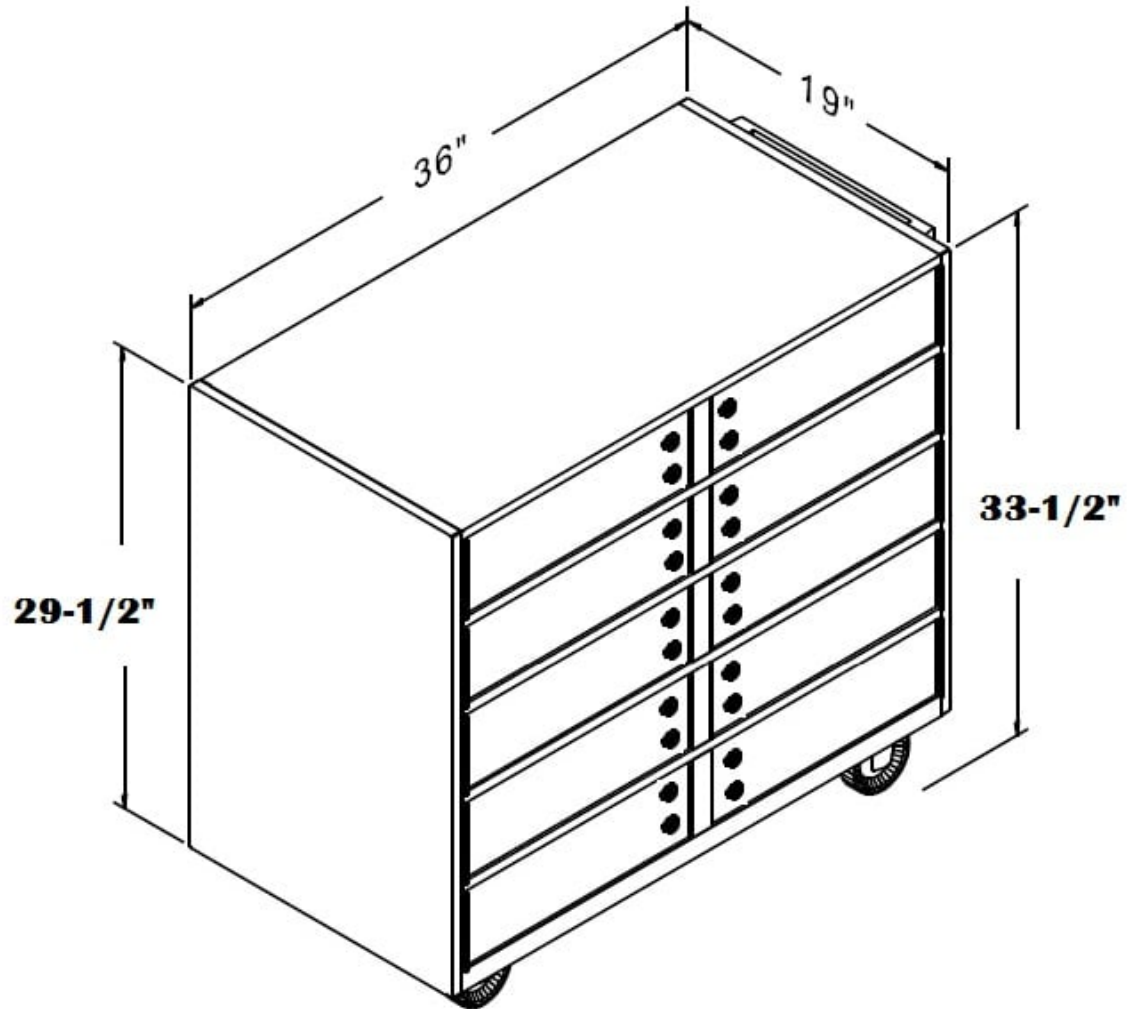


PART NO.:	TITLE: BUS-410	USED BY: ,	SCALE: NTS	ORDER NO:	PACKAGE SHEET: OF
SHEET: OF:		DATE: ,	DRN BY: Bolton T. DATE: 04/11/06	CUSTOMER: FENCO	



Last Update: 12/11/2007 - Bolton T.

Fenco
 Undercounter & Forecounter Equipment
 P.O. BOX 1238 BURLINGTON, NJ 08016-0516
 www.fencobankequipment.com