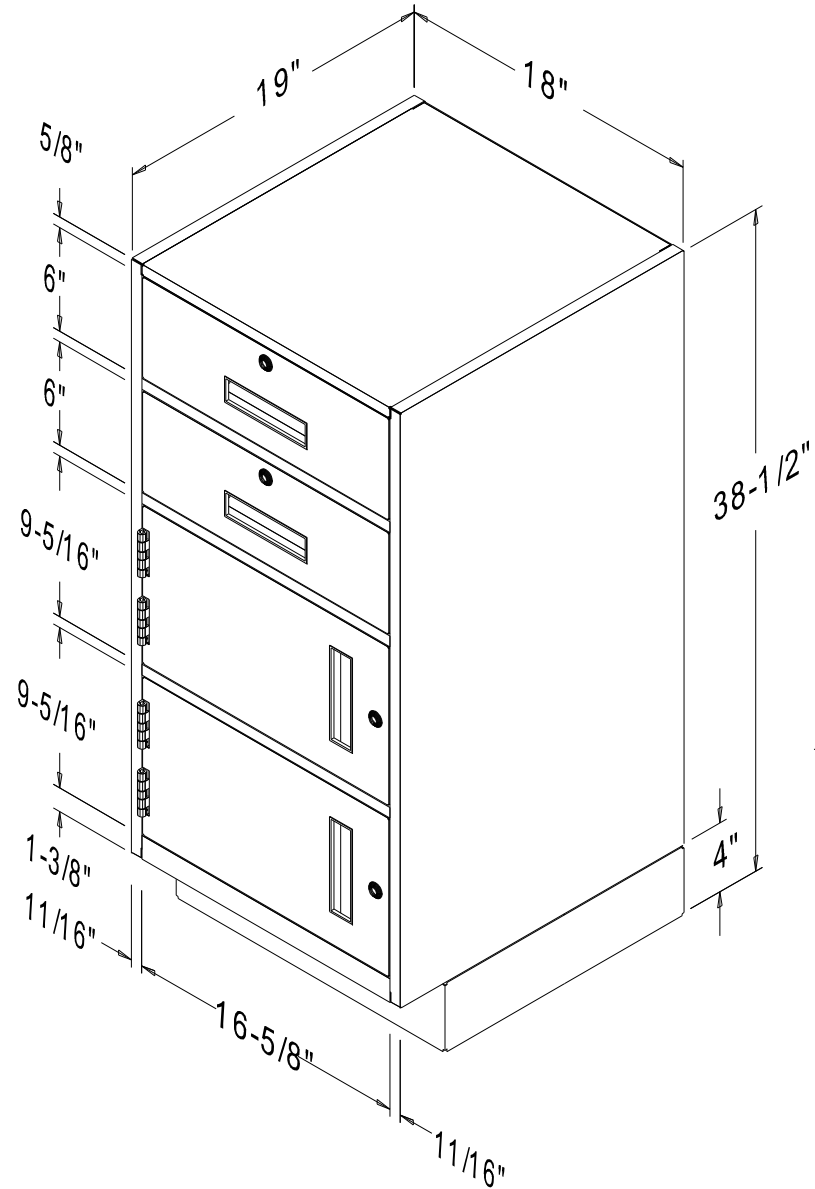
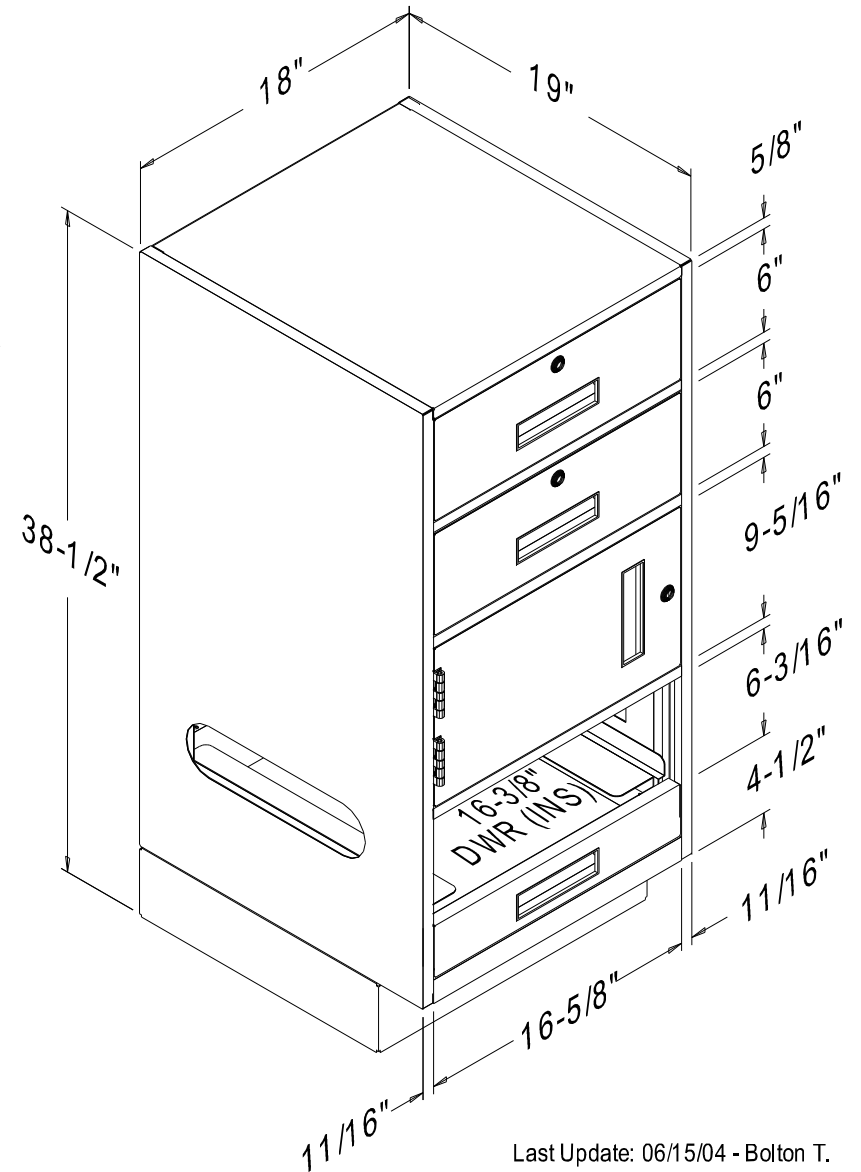


PART NO.:	TITLE:	USED BY:	SCALE: NTS	ORDER NO. -	PACKAGE SHEET: OF:
SHEET: OF:	205-19 AND 205-19-CPU	DATE:	DRN BY: Bolton T. DATE: 06/15/04	CUSTOMER: FENCO	

205-19



205-19-CPU



Last Update: 06/15/04 - Bolton T.