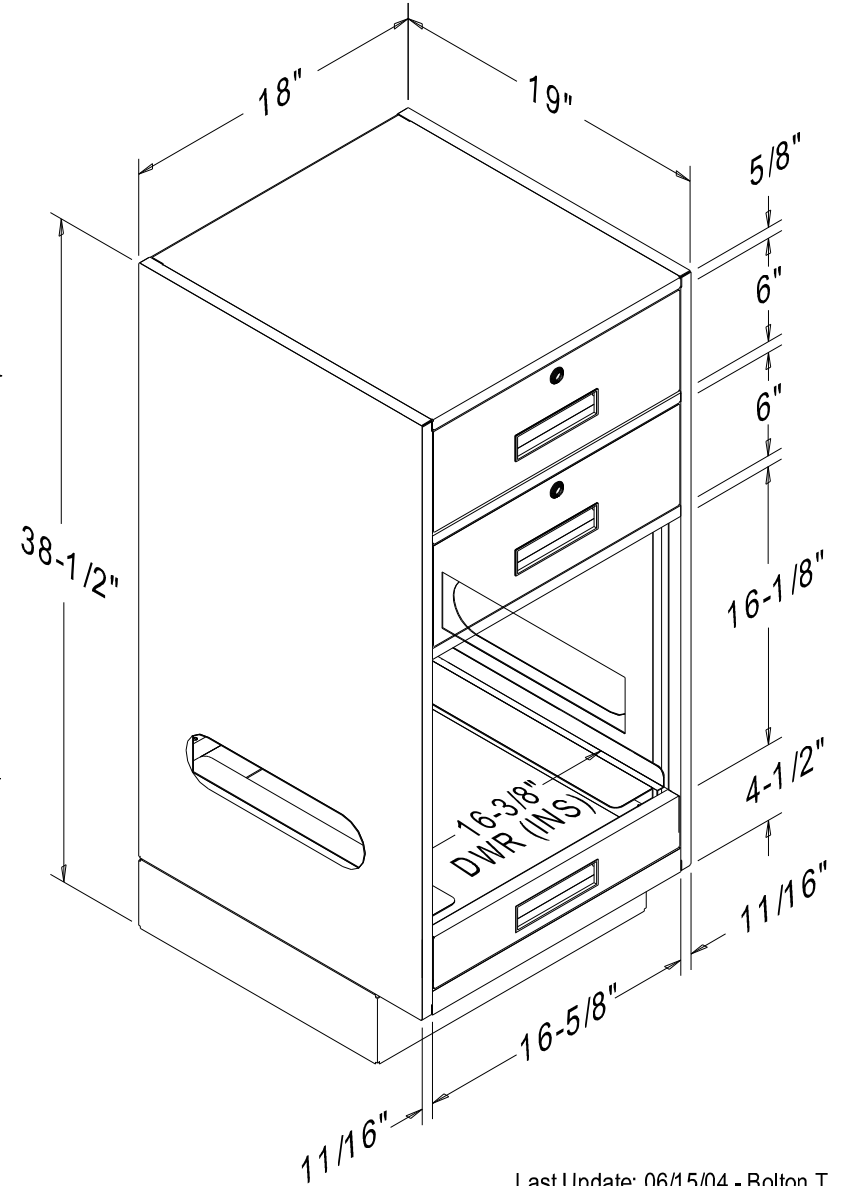
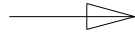
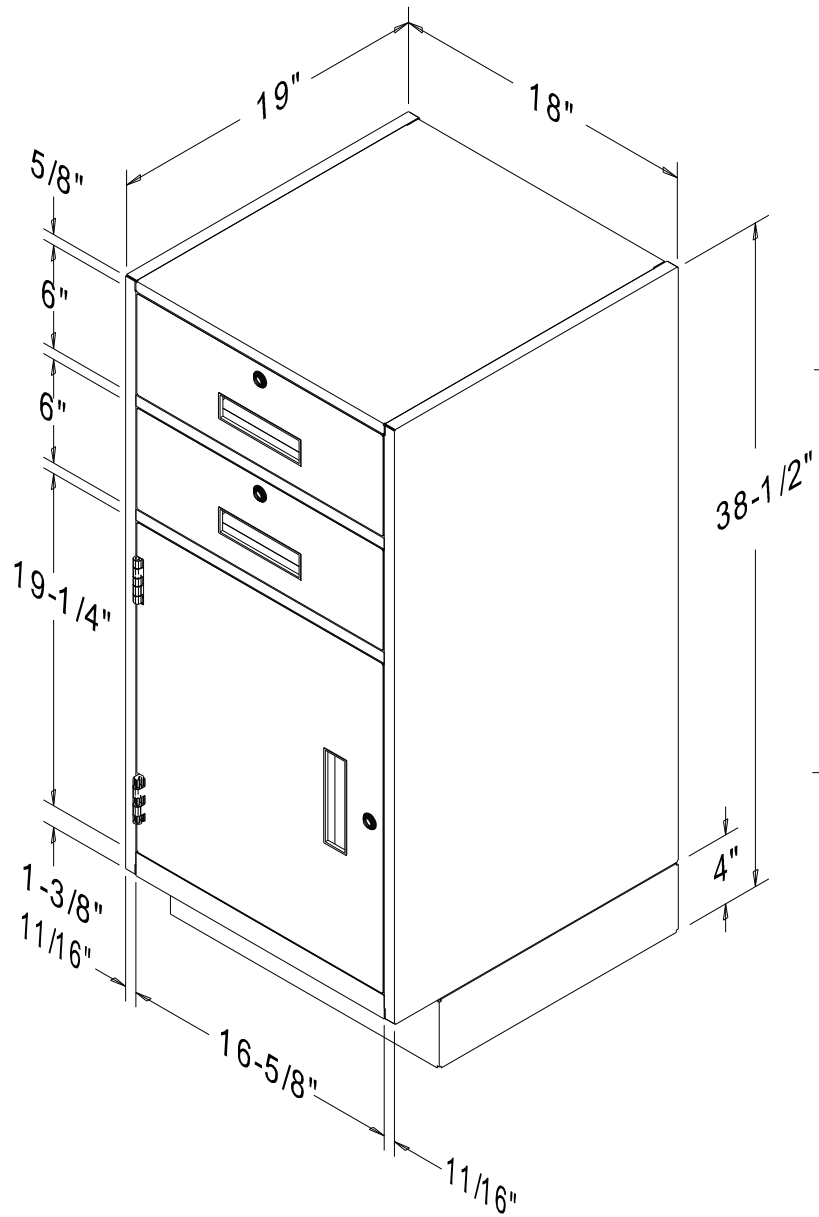


PART NO.:	TITLE:	USED BY:	SCALE: NTS	ORDER NO: -	PACKAGE SHEET: OF:
SHEET: OF:	204-19 AND 204-19-CPU	DRN BY: Bolton T.	DATE: 06/15/04	CUSTOMER: FENCO	

204-19



Last Update: 06/15/04 - Bolton T.

 **UNITED HOSPITAL SUPPLY CORP.**
P.O. BOX 1238 BURLINGTON, NJ 08016-0516