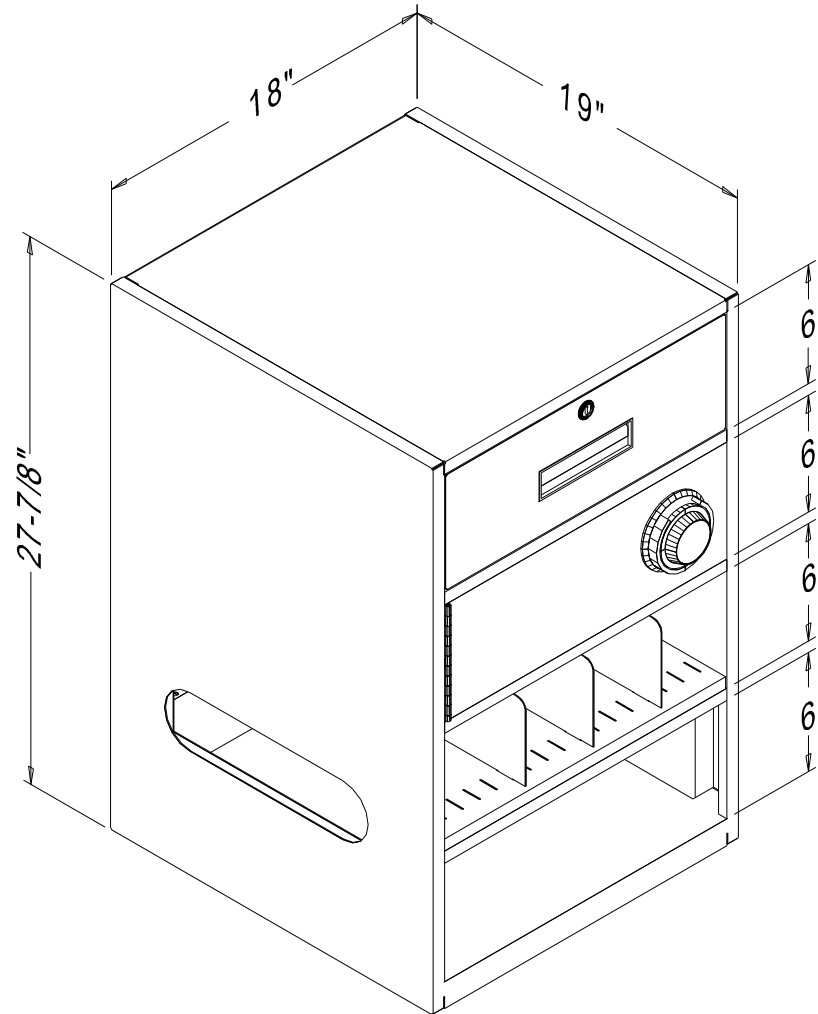


PART NO:	TITLE: 624- 19	USED BY:	SCALE:	ORDER NO. -	PACKAGE SHEET: OF
SHEET: OF		DATE:	DRN BY: Bolton T. DATE: 01/26/15	CUSTOMER: FENCO	



A KEY-LOCKING BOX DRAWER  
OVER AN 1/8" THICK STEEL  
PLATE LOCKER DOOR  
EQUIPPED W/ A GROUP II  
SPY PROOF MECH. COMBO LOCK  
OVER A P-51 FORMS HOLDER W/  
3 ADJUSTABLE DIVIDERS  
OVER A VENTILATED CPU  
COMPARTMENT.

Last Update: 02/02/2015 - Bolton T.



**Fenco**  
Undercounter & Forecounter Equipment  
P.O. BOX 1238 BURLINGTON, NJ 08016-0516  
[www.fencobankequipment.com](http://www.fencobankequipment.com)