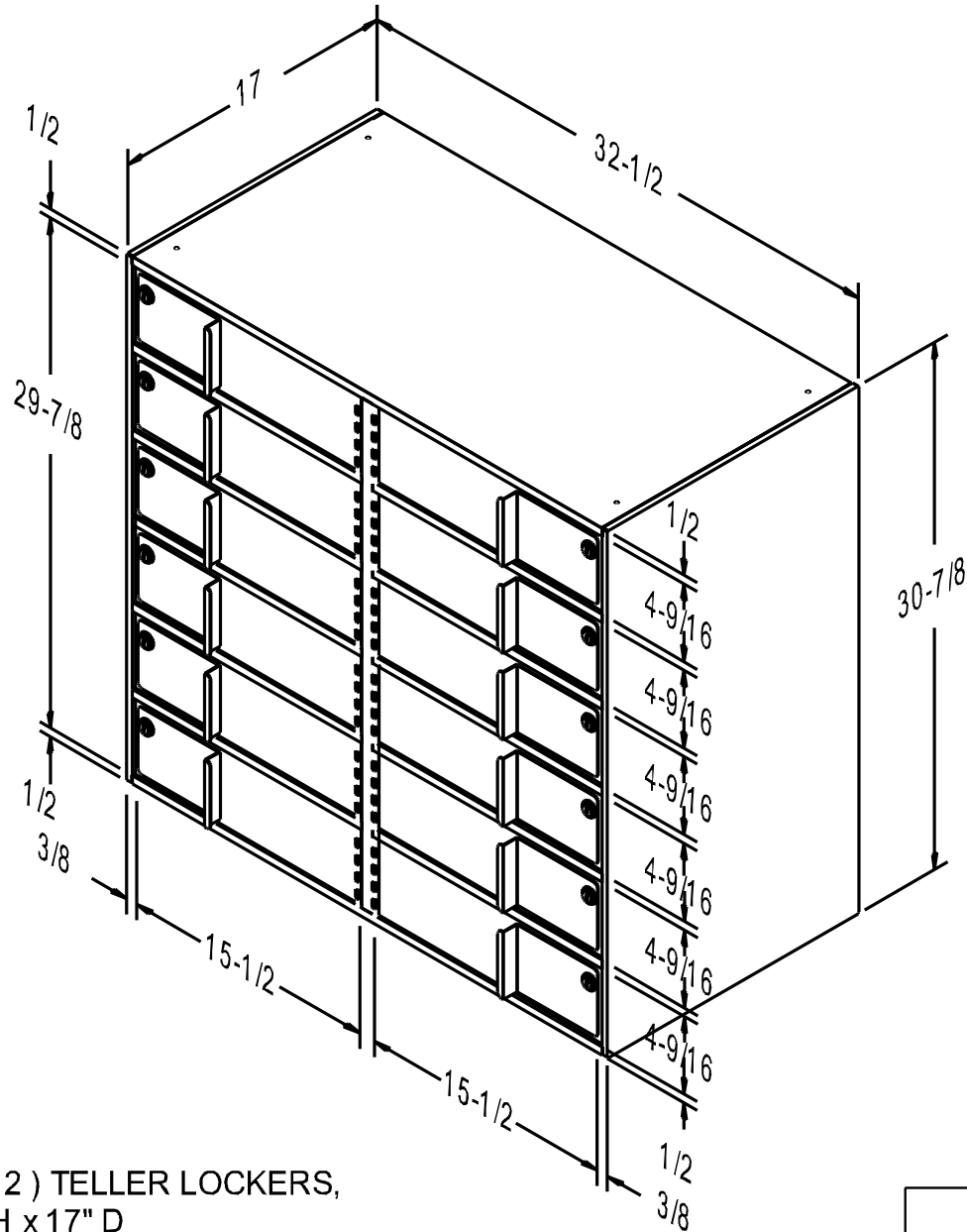


PART NO.:	TITLE: 3612-17, VAULT & SAFE INTERIORS	USED BY: Bolton T.	SCALE: NTS	ORDER NO.:	PACKAGE SHEET: OF
SHEET: OF:		DATE:	DRN BY: Bolton T. DATE: 03/10/05	CUSTOMER:	

WT: 159 LBS



DOUBLE WIDTH, (12) TELLER LOCKERS,
32-1/2" W x 30-7/8" H x 17" D

ALL VSI MODELS ARE OFFERED IN 24" DEPTH

Last Update: - 11/15/07: Bolton T.

Fenco
Undercounter & Forecounter Equipment
P.O. BOX 1238 BURLINGTON, NJ 08016-0516
www.fencobankequipment.com