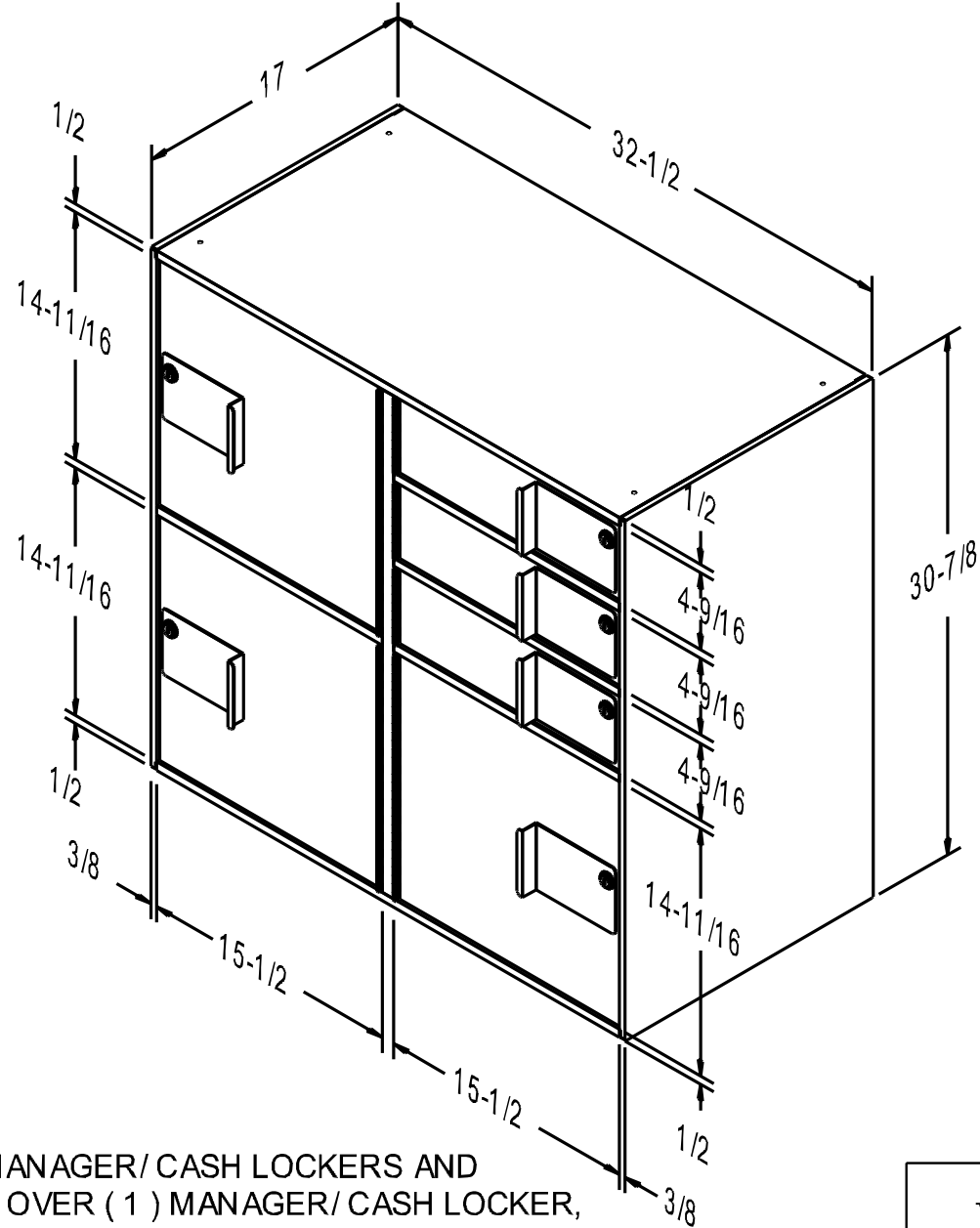


| | | | | | |
|------------|------------------------|--------------------|-------------------------------------|------------|-------------------|
| PART NO.: | TITLE: 3606-17 | USED BY: Bolton T. | SCALE: NTS | ORDER NO.: | PACKAGE SHEET: OF |
| SHEET: OF: | VAULT & SAFE INTERIORS | DATE: | DRN BY: Bolton T. DATE: 03/10/05 | CUSTOMER: | |

WT: 155 LBS



DOUBLE WIDTH, (2) MANAGER/ CASH LOCKERS AND
(3) TELLER LOCKERS OVER (1) MANAGER/ CASH LOCKER,
32-1/2" W x 30-7/8" H x 17" D

ALL VSI MODELS ARE OFFERED IN 24" DEPTH

Last Update: - 11/15/07: Bolton T.

Fenco
Undercounter & Forecounter Equipment
P.O. BOX 1238 BURLINGTON, NJ 08016-0516
www.fencobankequipment.com