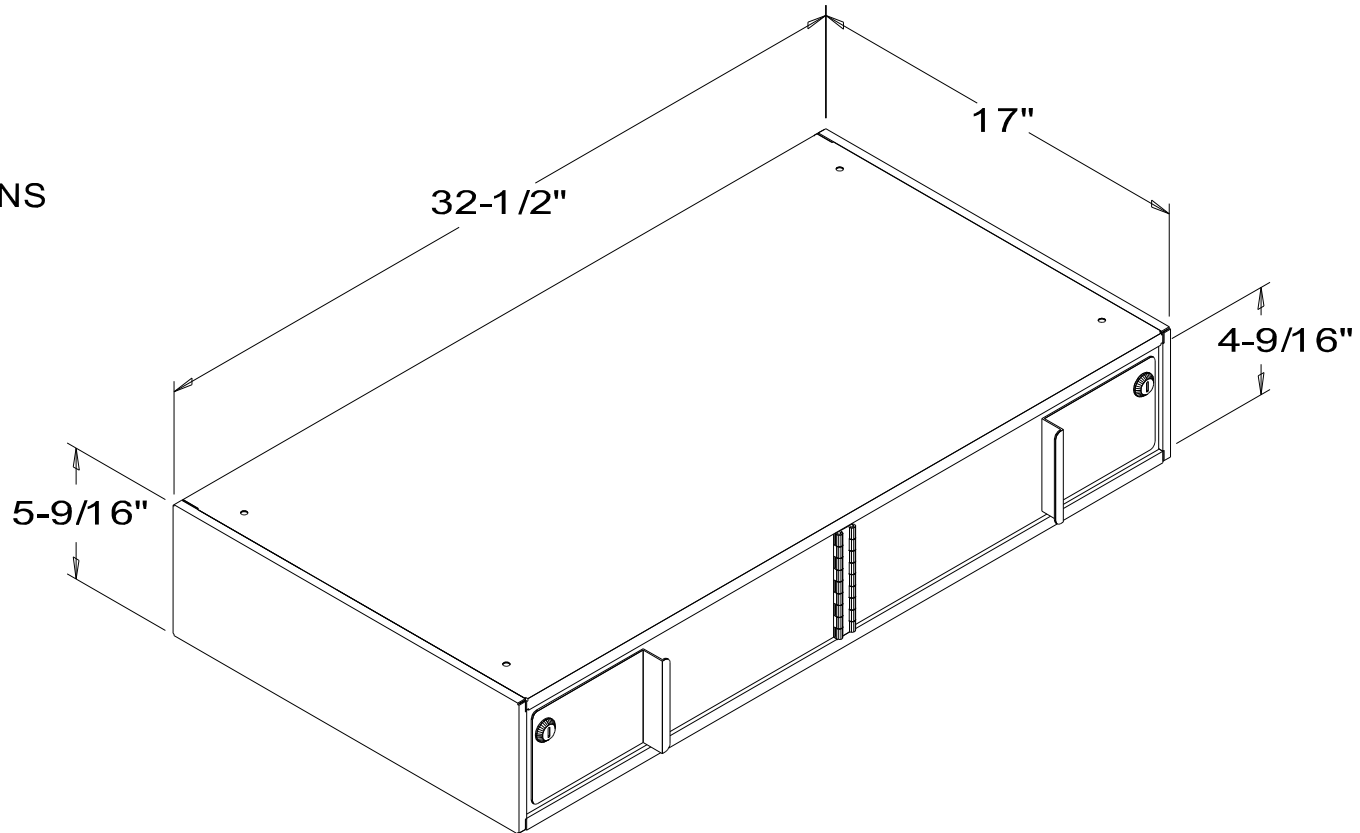


PART NO.:	TITLE:	USED BY: Brian H.	SCALE: NTS	ORDER NO: 98291	PACKAGE SHEET: OF
SHEET: OF:	3102-17	DATE: 3/27/15	DRN BY: Bolton T. DATE: 08/26/14	CUSTOMER: COASTAL SYSTEMS LLC	

QTY: 1

MOD PARTS

- SIDE
- INS WALL
- BACK
- UPRIGHT
- PARTITIONS



Last Update: - 08/26/14; By Bolton T.

	Fenco
	Undercounter & Forecounter Equipment
	P.O. BOX 1238 BURLINGTON, NJ 08016-0516
	www.fencobankequipment.com