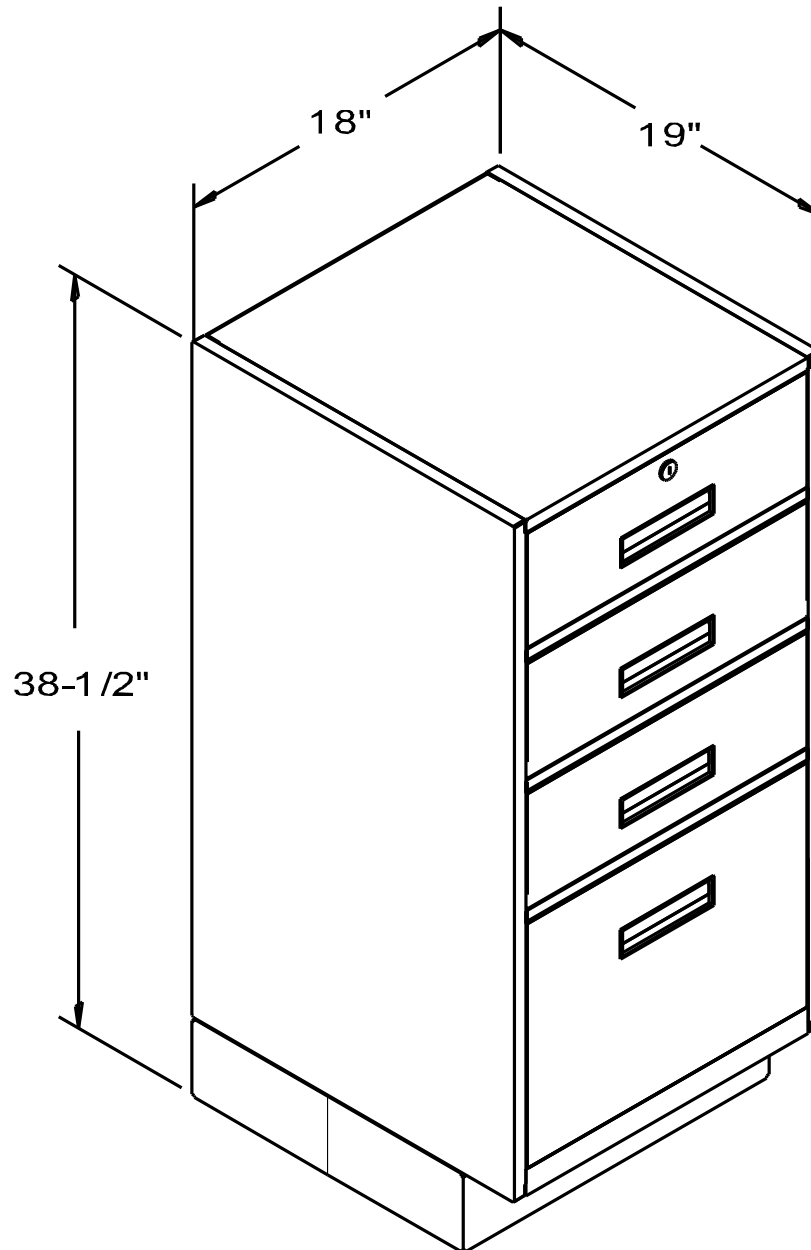


PART NO:	TITLE:	USED BY: Bolton T.	SCALE: NTS	ORDER NO: -	PACKAGE SHEET: OF
SHEET: OF:	212- 19	DATE:	DRN BY: Bolton T. DATE: 09/05/03	CUSTOMER: FENCO	



Last Update: 12/17/2003 - Bolton T.


Fenco
 Undercounter & Forecounter Equipment
 P.O. BOX 1238 BURLINGTON, NJ 08016-0516
www.fencobankequipment.com