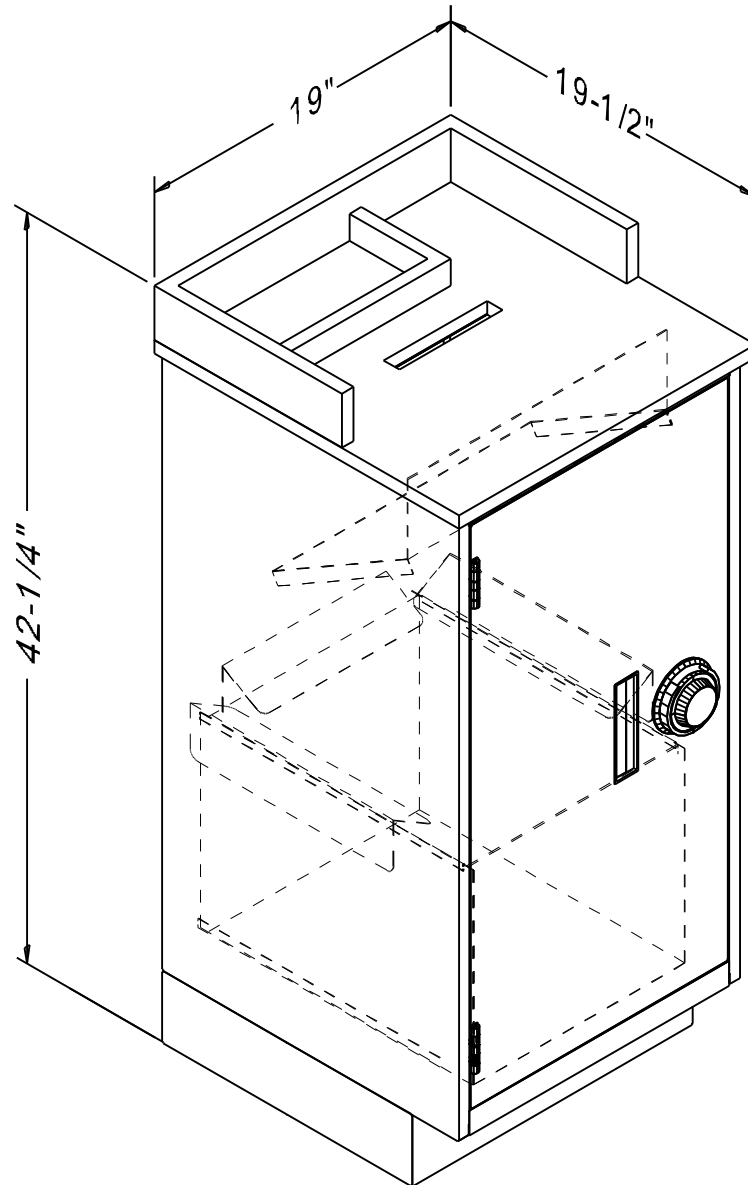


| | | | | | |
|-------------|----------------------------------|----------|----------------------------|-----------------|-------------------|
| PART NO.: . | TITLE: 200 -19, LOBBY DEPOSITORY | USED BY: | SCALE: NTS | ORDER NO: | PACKAGE SHEET: OF |
| SHEET: OF: | | DATE: | DRN BY: Bolton T. DATE: | CUSTOMER: FENCO | |



Last Update: 12/11/07 - Bolton T.


Fenco
 Undercounter & Forecounter Equipment
 P.O. BOX 1238 BURLINGTON, NJ 08016-0516
www.fencobankequipment.com