

PART NO.: 1203

TITLE:

1203, LATERAL FILE CABINET

USED BY:

SCALE: NTS

ORDER NO:

PACKAGE SHEET:

OF

SHEET: OF:

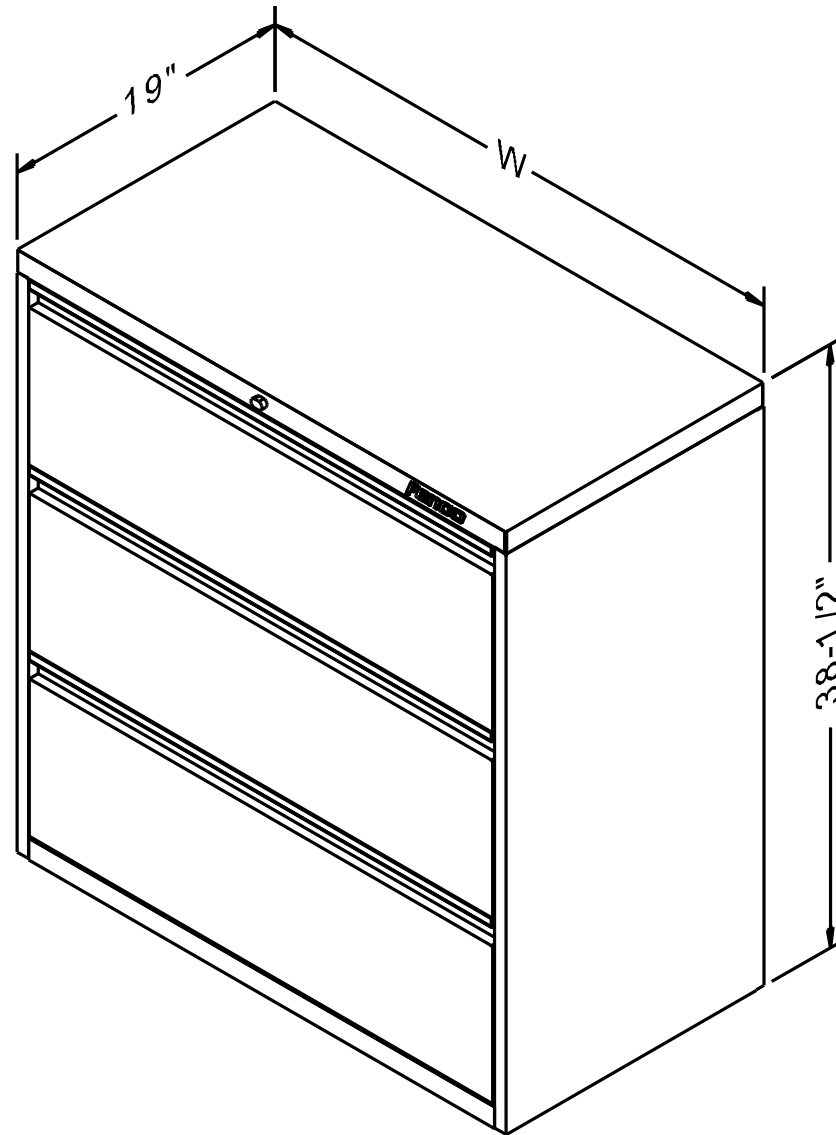
DATE:

DRN BY: WILLY J.

DATE: 04/06/2000

CUSTOMER:

FENCO



42"	1203-42
36"	1203-36
W	MODEL #

Last Update: 05/06/2001 - Bolton T.

Fenco
 Undercounter & Forecounter Equipment
 P.O. BOX 1238 BURLINGTON, NJ 08016-0516
www.fencobankequipment.com