

PART NO.: 1202

TITLE:

1202, LATERAL FILE CABINET

USED BY:

SCALE: NTS

ORDER NO:

PACKAGE SHEET: OF

SHEET: OF:

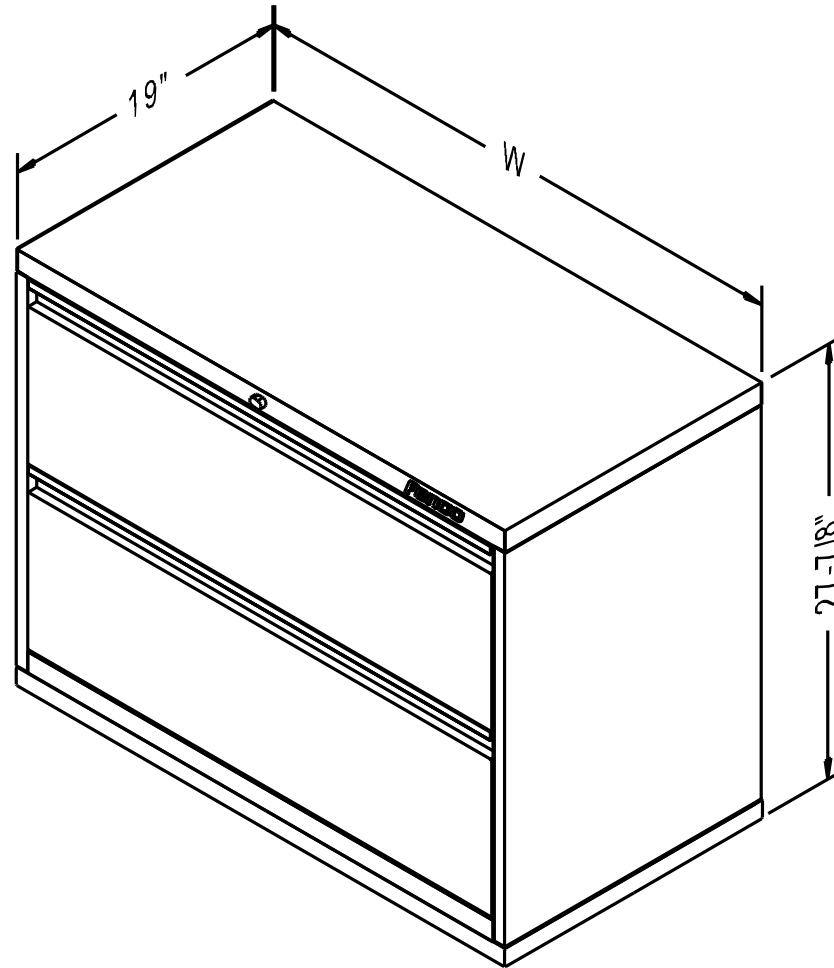
DATE:

DRN BY: WILLY J.

DATE: 04/06/2000

CUSTOMER:

FENCO



42"	1202-42
36"	1202-36
W	MODEL #

Last Update: 12/11/2007 - Bolton T.



**Fenco**

Undercounter & Forecounter Equipment

P.O. BOX 1238 BURLINGTON, NJ 08016-0516

[www.fencobankequipment.com](http://www.fencobankequipment.com)