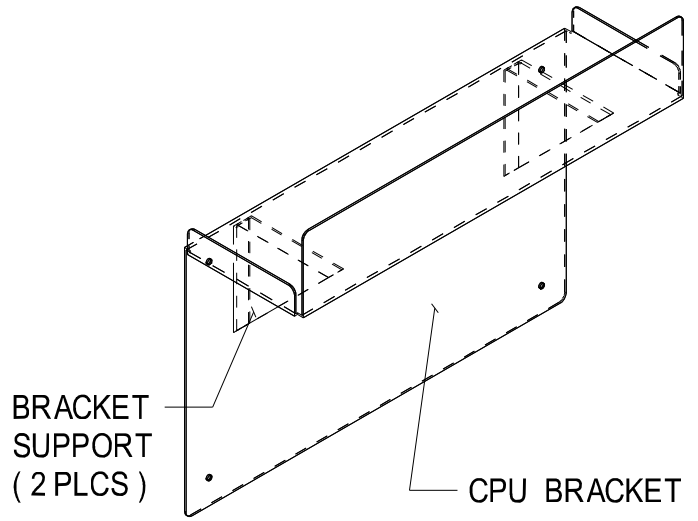
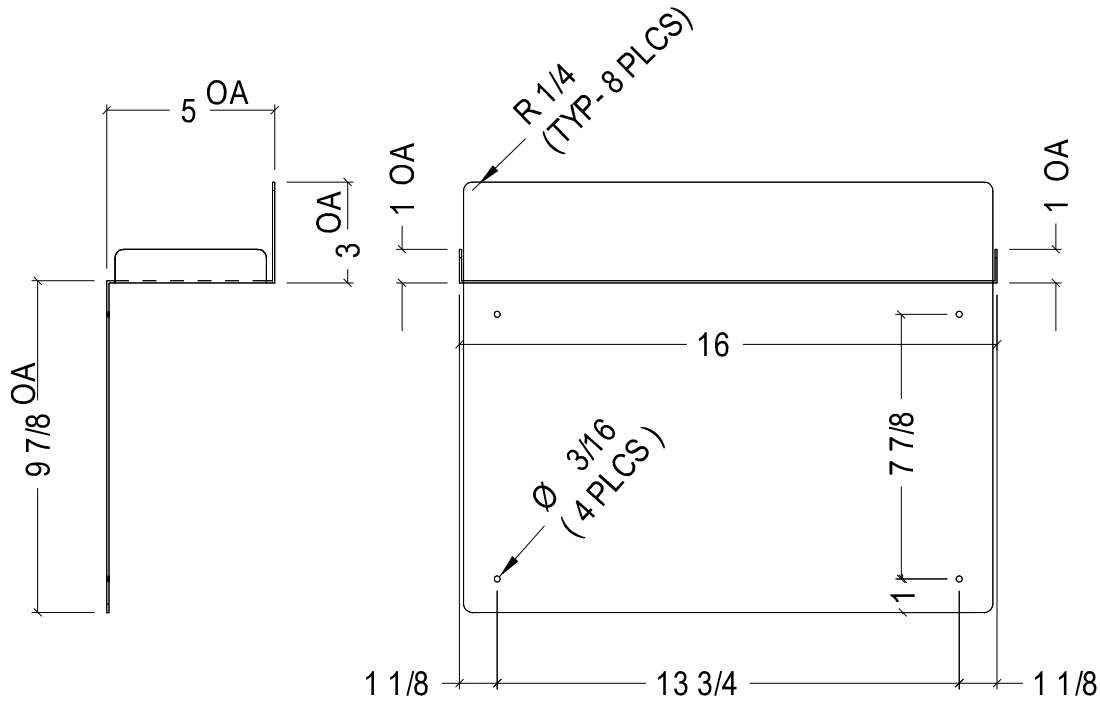
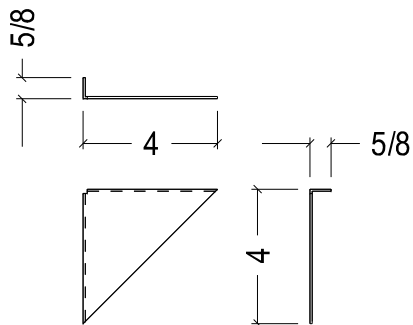
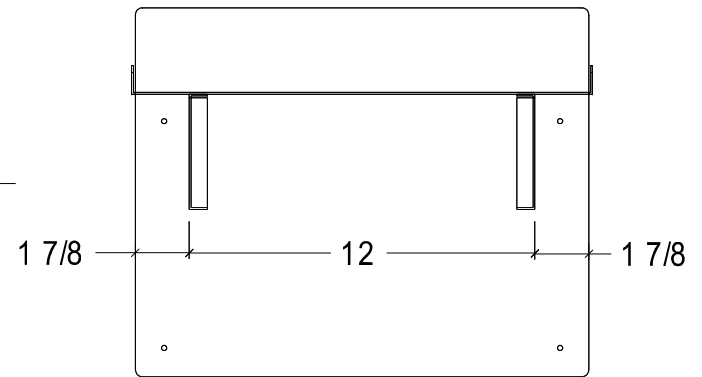


|           |                    |          |                                     |  |                   |
|-----------|--------------------|----------|-------------------------------------|--|-------------------|
| PART NO:  | TITLE: CPU BRACKET | USED BY: | SCALE:                              | ORDER NO. 91275                        | PACKAGE SHEET: OF |
| SHEET: OF |                    | DATE:    | DRN BY: Bolton T.<br>DATE: 10/29/01 | CUSTOMER: ISLAND MASTER LOCKSMITH INC. |                   |



BLANK: 17-5/8" x 17-3/4" x 16 GA. (QTY: 9)



BLANK: 4-1/2" x 4-1/2" x 16 GA (2/UNIT)

Last Update: 10/29/2001 - Bolton T.

**Fenco**  
 Undercounter & Forecounter Equipment  
 P.O. BOX 1238 BURLINGTON, NJ 08016-0516  
 www.fencobankequipment.com