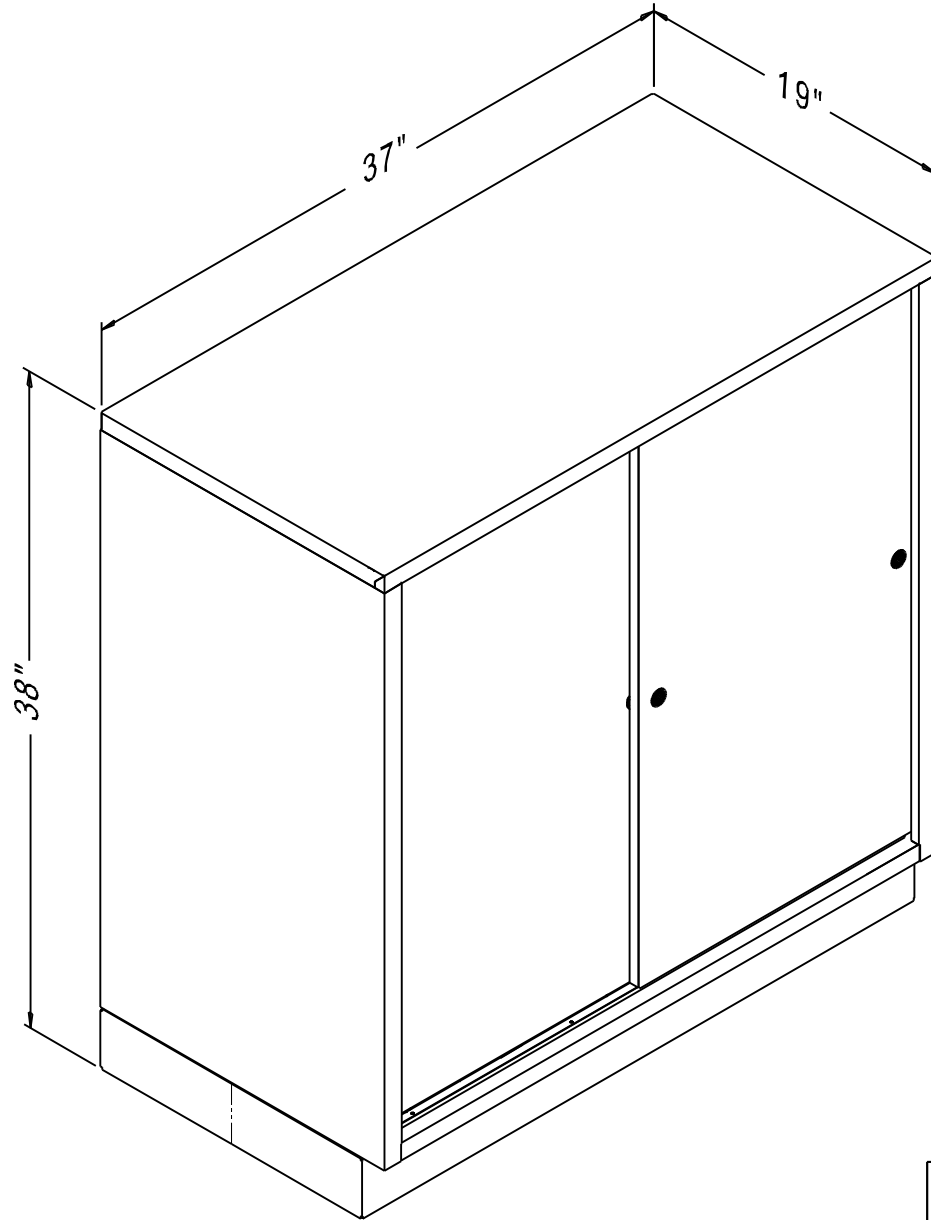


PART NO: UF1900-02 M	TITLE: <b>231-19 SILVERLINE</b>	USED BY:	SCALE:	ORDER NO. -	PACKAGE SHEET: OF
SHEET: OF		DATE:	DRN BY: Bolton T. DATE: 03/10/10	CUSTOMER: <b>FENCO</b>	



Last Update: 03/10/2010 - Bolton T.


**Fenco**  
 Undercounter & Forecounter Equipment  
 P.O. BOX 1238 BURLINGTON, NJ 08016-0516  
[www.fencobankequipment.com](http://www.fencobankequipment.com)