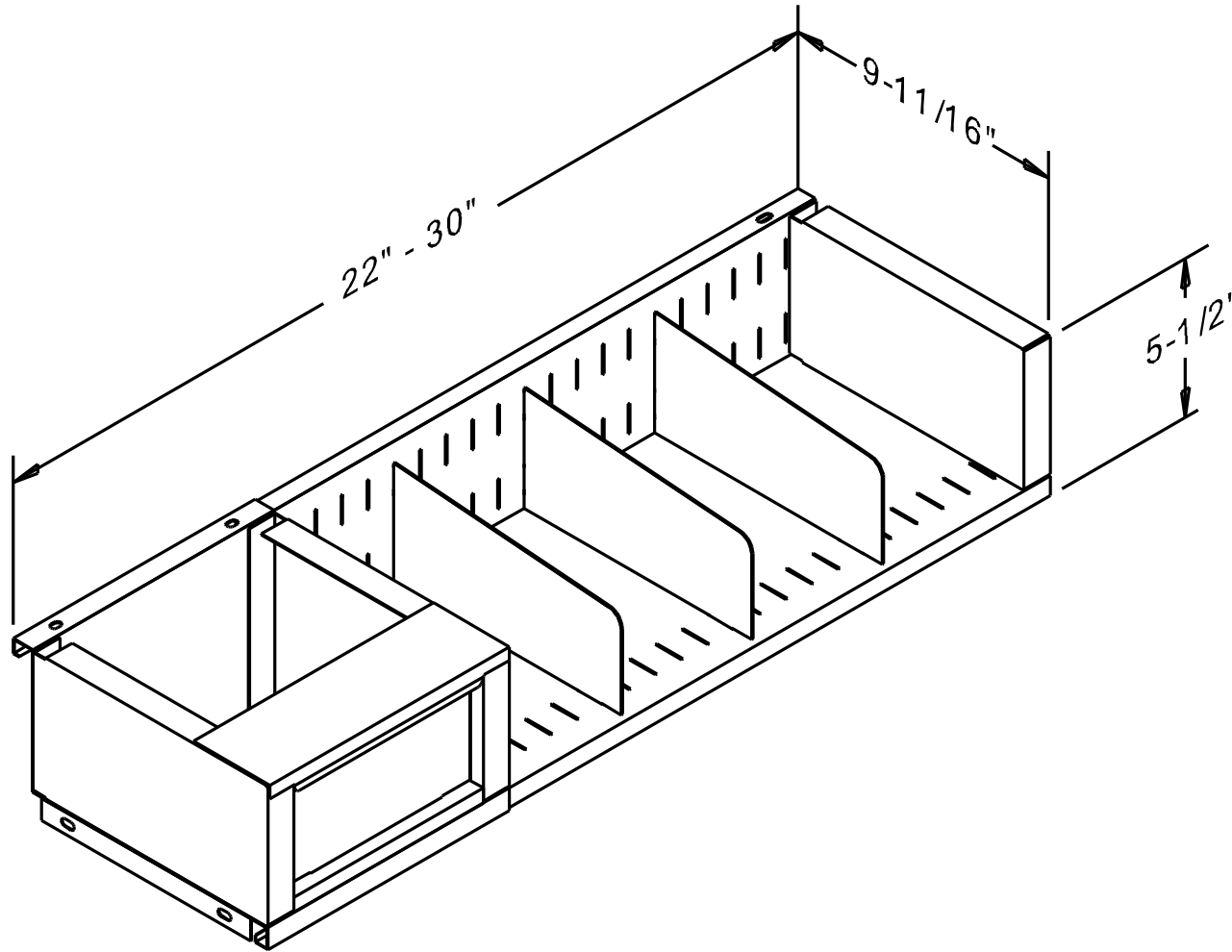


| | | | | | |
|------------|--------|----------|-------------------------------------|-----------------|-------------------|
| PART NO.: | TITLE: | USED BY: | SCALE: NTS | ORDER NO.: | PACKAGE SHEET: OF |
| SHEET: OF: | P-52 | DATE: | DRN BY: Bolton T. DATE: 01/06/04 | CUSTOMER: FENCO | |



Last Update: 12/11/2007 - Bolton T.


Fenco
 Undercounter & Forecounter Equipment
 P.O. BOX 1238 BURLINGTON, NJ 08016-0516
www.fencobankequipment.com