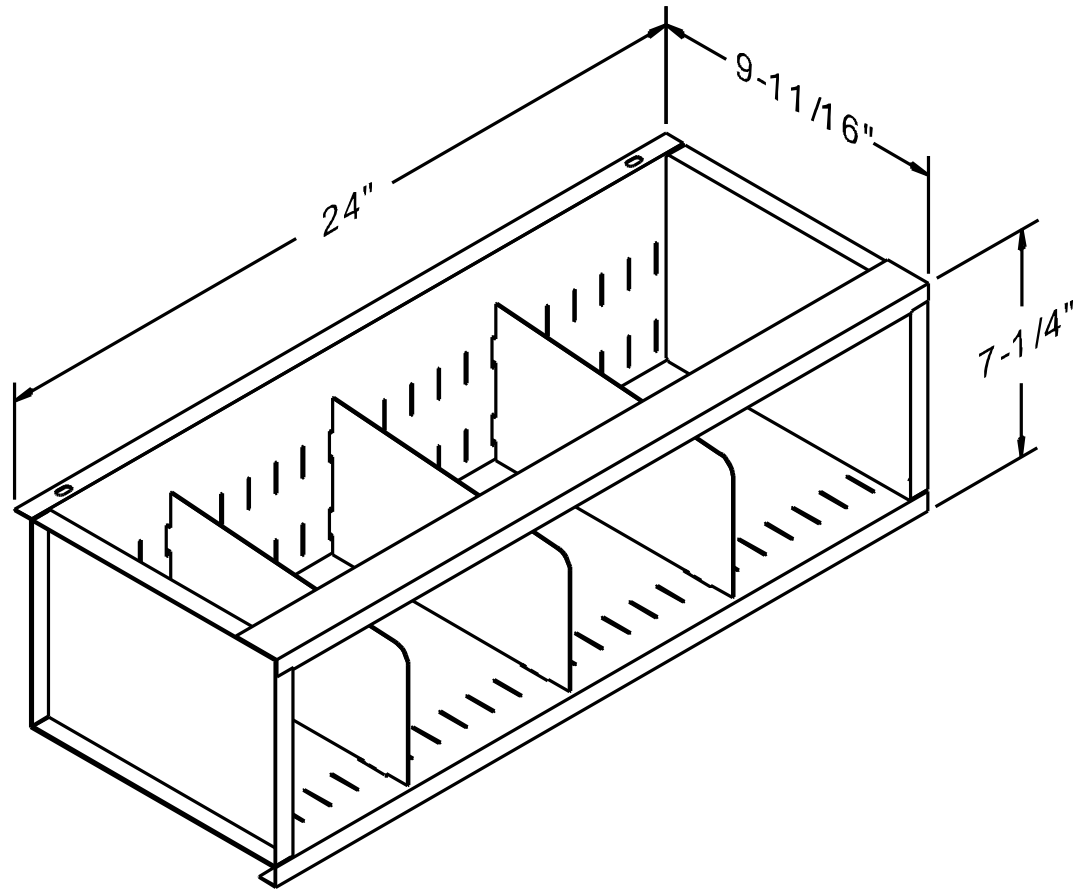


PART NO.:	TITLE:	USED BY:	SCALE: NTS	ORDER NO.:	PACKAGE SHEET: OF:
SHEET: OF:	P-24	DATE:	DRN BY: BT	CUSTOMER: FENCO	
			DATE: 05/18/98		



Last Update: 12/11/2007 - Bolton T.


**Fenco**  
 Undercounter & Forecounter Equipment  
 P.O. BOX 1238 BURLINGTON, NJ 08016-0516  
[www.fencobankequipment.com](http://www.fencobankequipment.com)