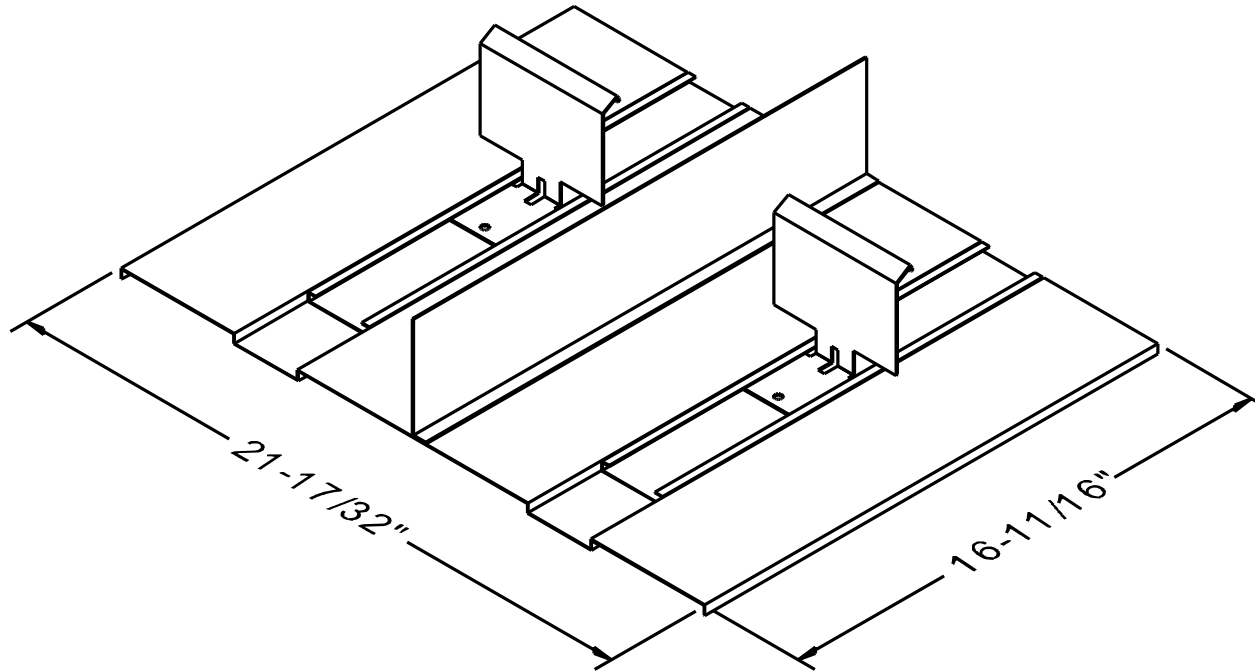


PART NO:	TITLE:	USED BY:	SCALE:	ORDER NO.:	PACKAGE SHEET: OF
SHEET: OF	P-10 INSERT ( 4 X 10.5 CARD )	DATE:	DRN BY: Bolton T.	CUSTOMER: FENCO	
			DATE: 07/14/04		



Last Update: 12/11/2007 - Bolton T.

	<b>Fenco</b>
	Undercounter & Forecounter Equipment
	P.O. BOX 1238 BURLINGTON, NJ 08016-0516 www.fencobankequipment.com