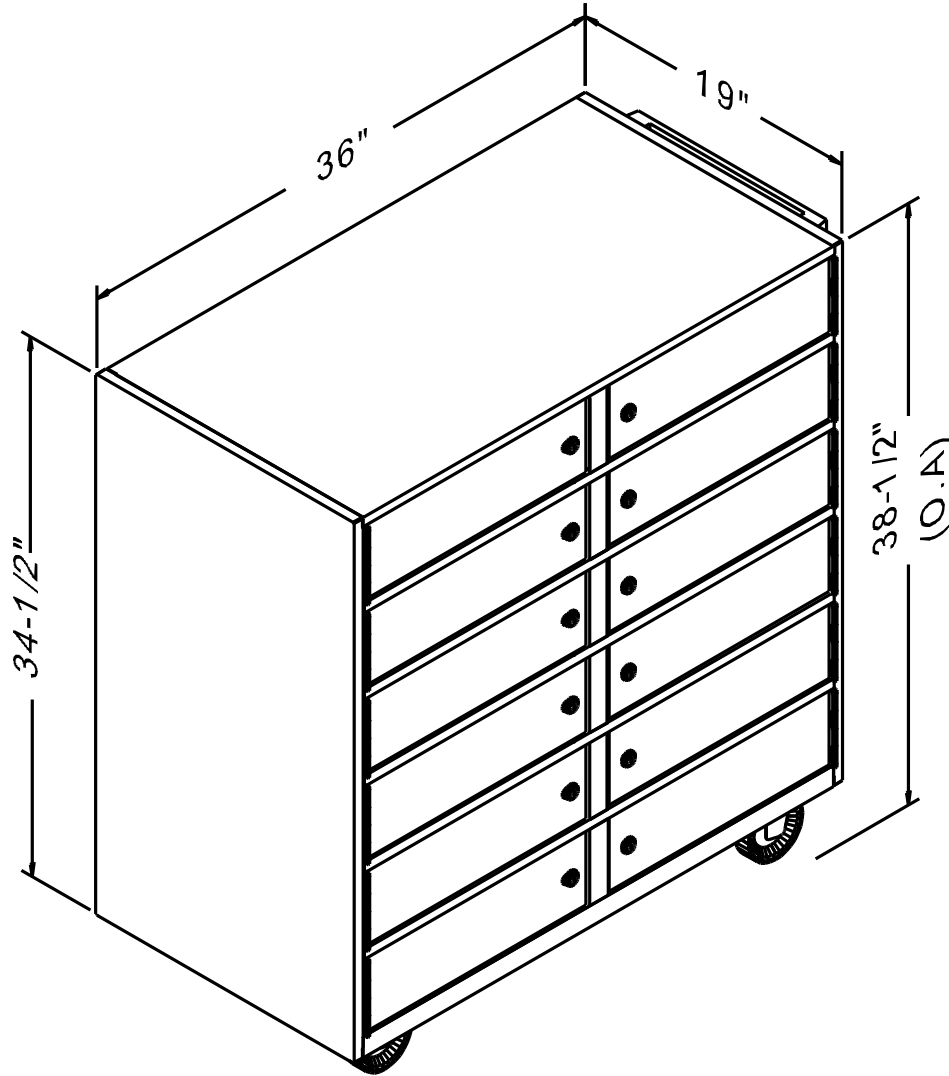


PART NO.:	TITLE:	USED BY:	SCALE: NTS	ORDER NO.:	PACKAGE SHEET:	OF
SHEET: OF:	BUS- 412	DATE:	DRN BY: Bolton T. DATE: 04/11/06	CUSTOMER: FENCO		



Last Update: 12/11/2007 - Bolton T.


**Fenco**  
 Undercounter & Forecounter Equipment  
 P.O. BOX 1238 BURLINGTON, NJ 08016-0516  
[www.fencobankequipment.com](http://www.fencobankequipment.com)