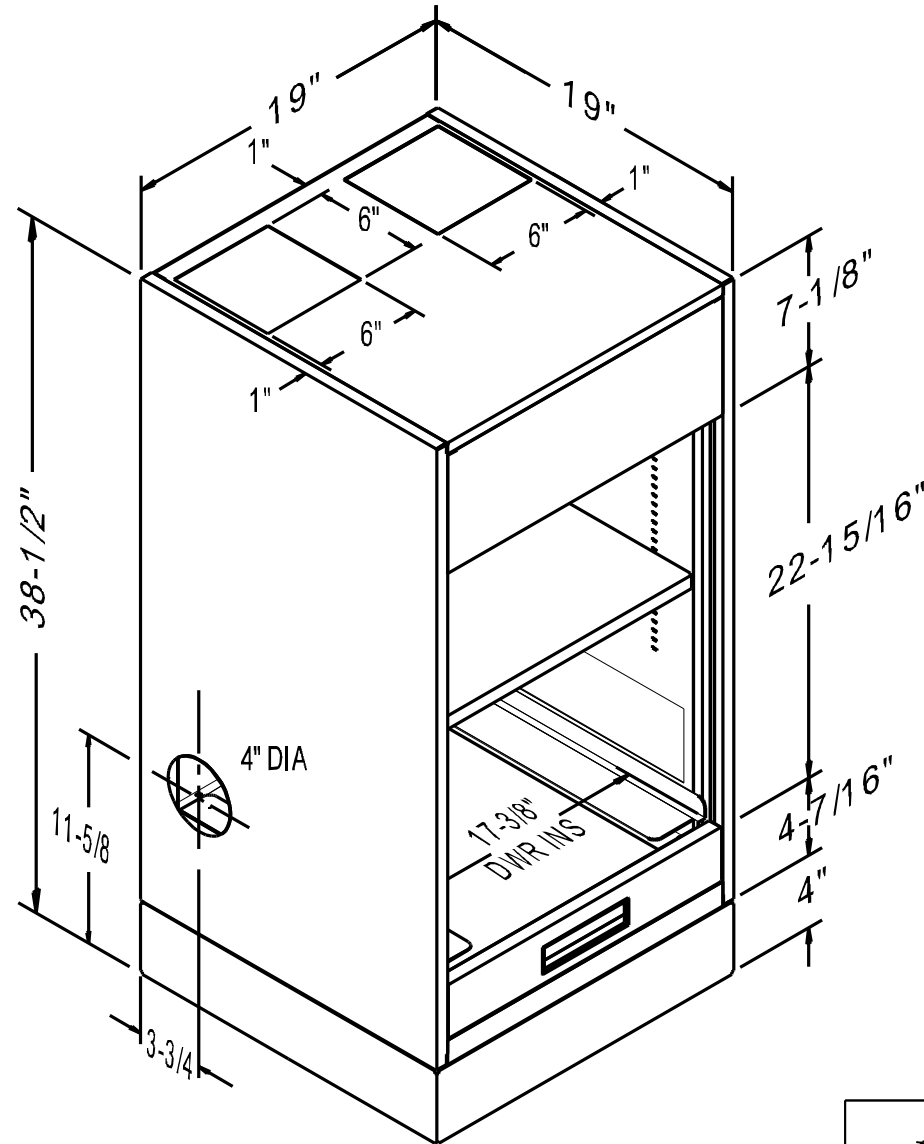


PART NO.:	TITLE:	USED BY:	SCALE: NTS	ORDER NO.:	PACKAGE SHEET: OF:
SHEET: OF:	226-19X19-CPU	DATE:	DRN BY: Bolton T. DATE: 10/26/04	CUSTOMER: FENCO	



Last Update: 12/11/2007 - Bolton T.

Fenco
 Undercounter & Forecounter Equipment
 P.O. BOX 1238 BURLINGTON, NJ 08016-0516
 www.fencobankequipment.com