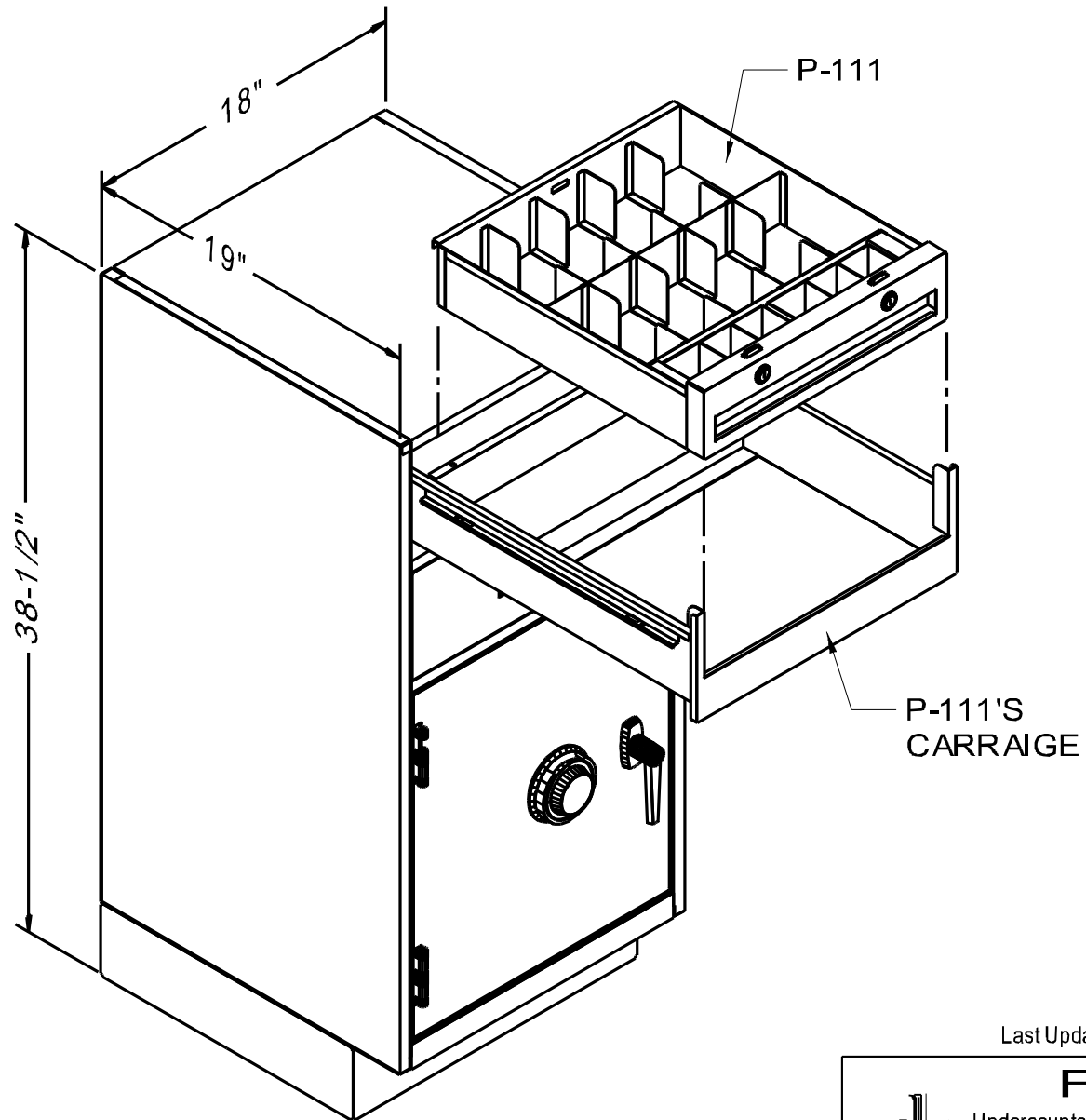


PART NO:	TITLE:	USED BY:	SCALE:	ORDER NO.	PACKAGE SHEET: OF
SHEET: OF	220-19 W/P-111 CASH DRAWER	DATE:	DRN BY: Bolton T. DATE: 07/19/05	CUSTOMER: FENCO	



Last Update: 12/11/2007 - Bolton T.


**Fenco**  
 Undercounter & Forecounter Equipment  
 P.O. BOX 1238 BURLINGTON, NJ 08016-0516  
[www.fencobankequipment.com](http://www.fencobankequipment.com)