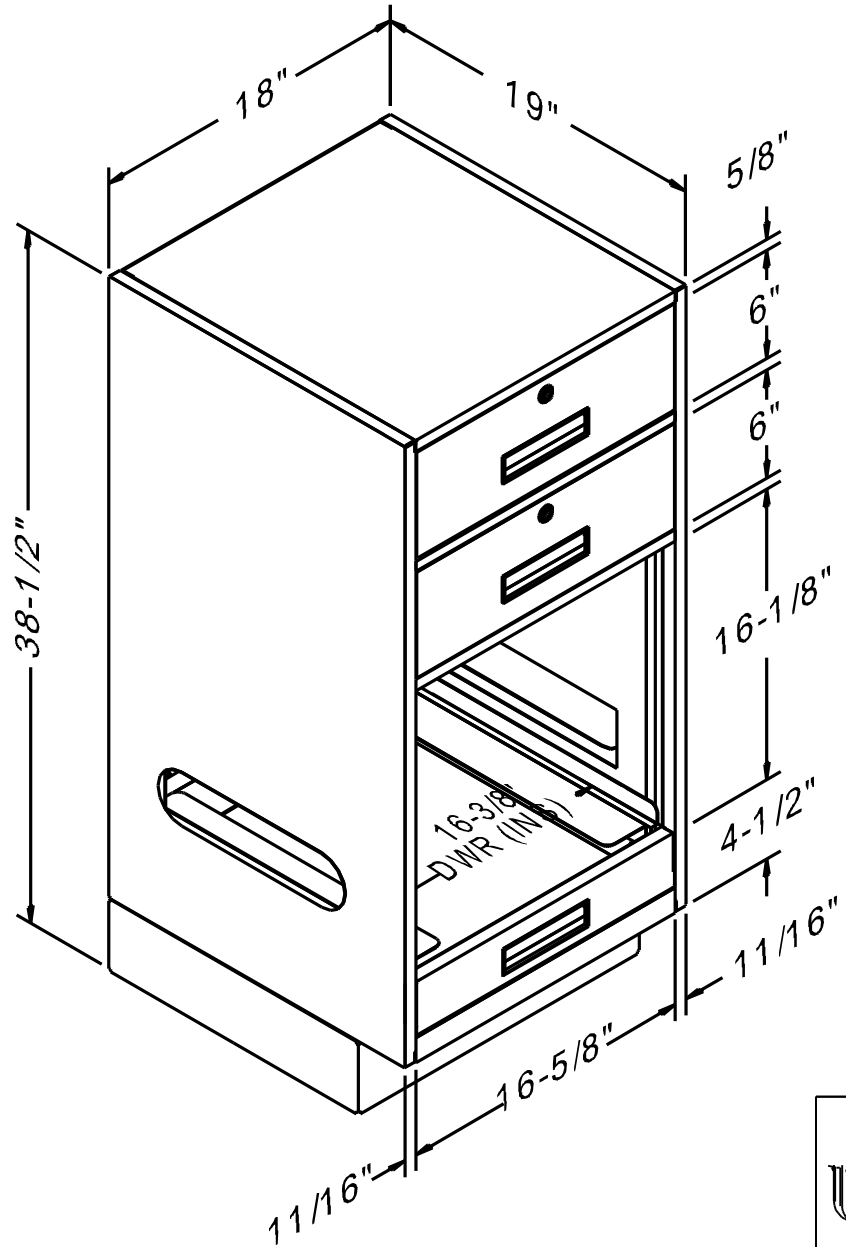


PART NO.:	TITLE:	USED BY:	SCALE: NTS	ORDER NO: -
SHEET: OF:	204-19-CPU	DATE:	DRN BY: Bolton T. DATE: 06/15/04	CUSTOMER: FENCO



Last Update: 12/11/2007 - Bolton T.

Fenco
 Undercounter & Forecounter Equipment
 P.O. BOX 1238 BURLINGTON, NJ 08016-0516
 www.fencobankequipment.com